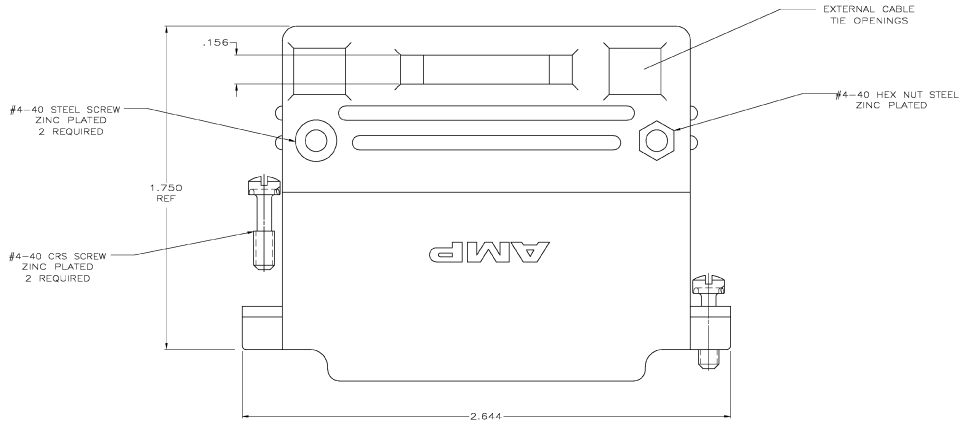
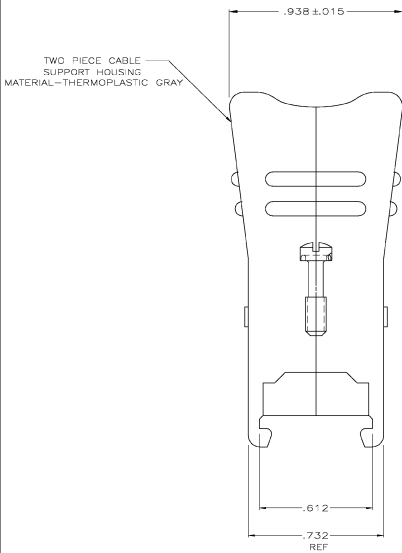
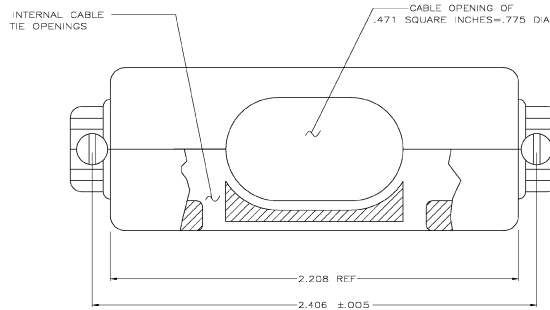


THIS DRAWING IS UNCLASSIFIED  
EXCEPT AS NOTED OTHERWISE  
IN THIS ELECTRONIC DOCUMENT  
ALL RIGHTS RESERVED

REVISES  
GP 00  
REWORKED PER EC 0513-0512-D3  
DATE  
BY  
DWG NO  
JOB NO  
C  
SOMMERICH EM JG

- 1 THIS PART WILL FIT ANY SIZE 5 PLUG OR RECEPTACLE IN THE AMPLIMITE SERIES CONNECTOR.
  - 2 ALL PARTS ARE PACKAGED UNASSEMBLED.
- ⚠ ONE KIT PER POLY BAG.  
⚠ SAME AS -1 EXCEPT BULK PACKAGED.



OBSELETE	⚠	745082-2
	⚠	745082-1
PACKAGING		PART NUMBER

THIS DRAWING IS A CONTROLLED DOCUMENT		DATE	REVISED	BY	REVISION
DESIGNER	DATE	BY	DATE	BY	DATE
SEE CALLOUT	SEE CALLOUT				
		CUSTOMER DRAWING		REV	DATE