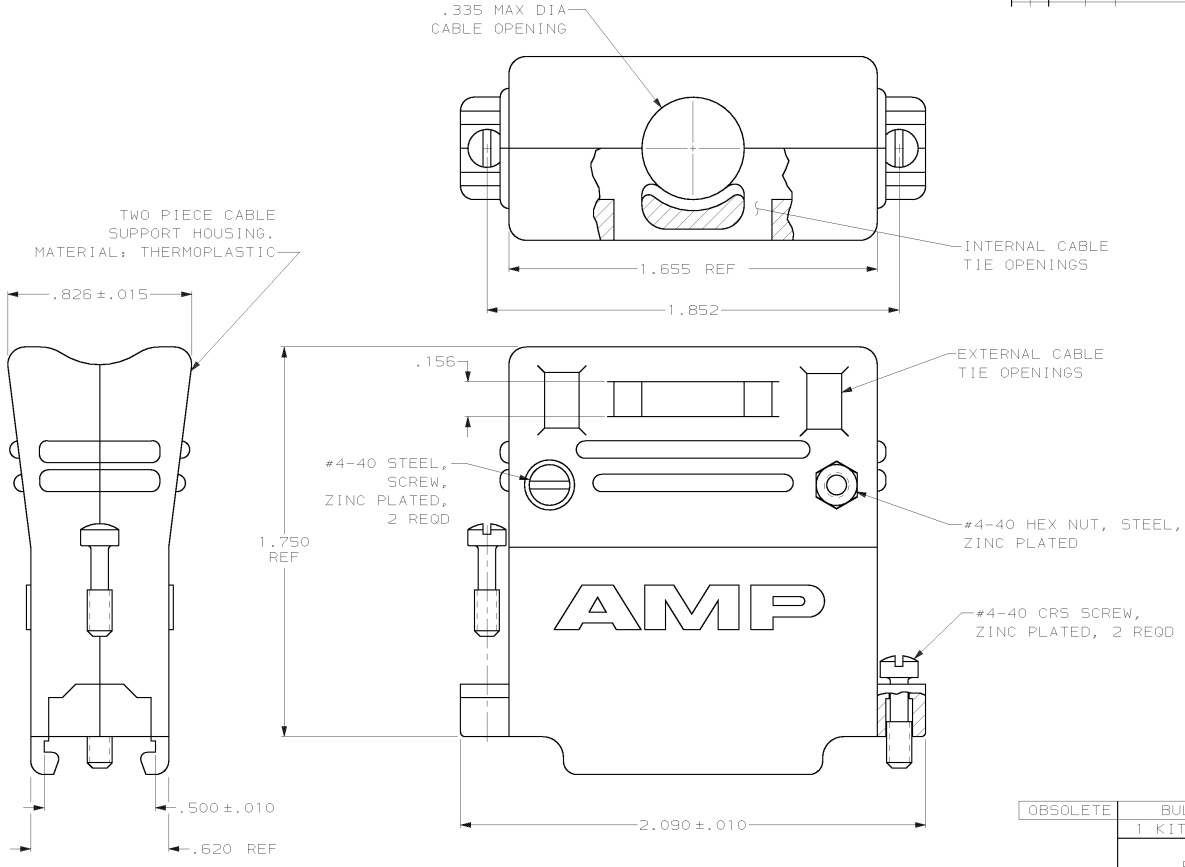


DRAWING MADE IN THIRD ANGLE PROJECTION

THIS DRAWING IS UNPUBLISHED. RELEASED FOR PUBLICATION .19
 © COPYRIGHT 19 BY AMP INCORPORATED. ALL INTERNATIONAL RIGHTS RESERVED.

REVISIONS									
MOD	LOC	DIST	P	F	ZONE	LTR	DESCRIPTION	DATE	APPD
-	GP	00					F REV PER EC 001D-0247-00	16 JAN 02	JR



1. THIS PART WILL FIT ANY STANDARD SIZE 3 PLUG OR RECEPTACLE IN THE AMPLIMITE SERIES.
2. ALL PARTS ARE PACKAGED UNASSEMBLED.

OBsolete	BULK PACKAGED	206472-2
	1 KIT PER POLY BAG	206472-1
	PACKAGING	PART NUMBER

DO NOT SCALE PRINT. UNLESS SPECIFIED DIMENSIONS IN INCHES. TOLERANCES ON : 2 PLC DEC ± - 3 PLC DEC ± .005 ANGLES ± -	DR 5-8-90 J GALLUCCI B6	AMP INCORPORATED Harrisburg, Pa. 17105		
MATERIAL SEE CALLOUT	CHK - APPD - PRODUCT SPEC -			
FINISH SEE CALLOUT	APPLICATION SPEC -	SIZE C	FSCM NO 00779	DRAWING NO 206472
WEIGHT -		SCALE 3:1	SHEET 1 OF 1	

CUSTOMER DRAWING