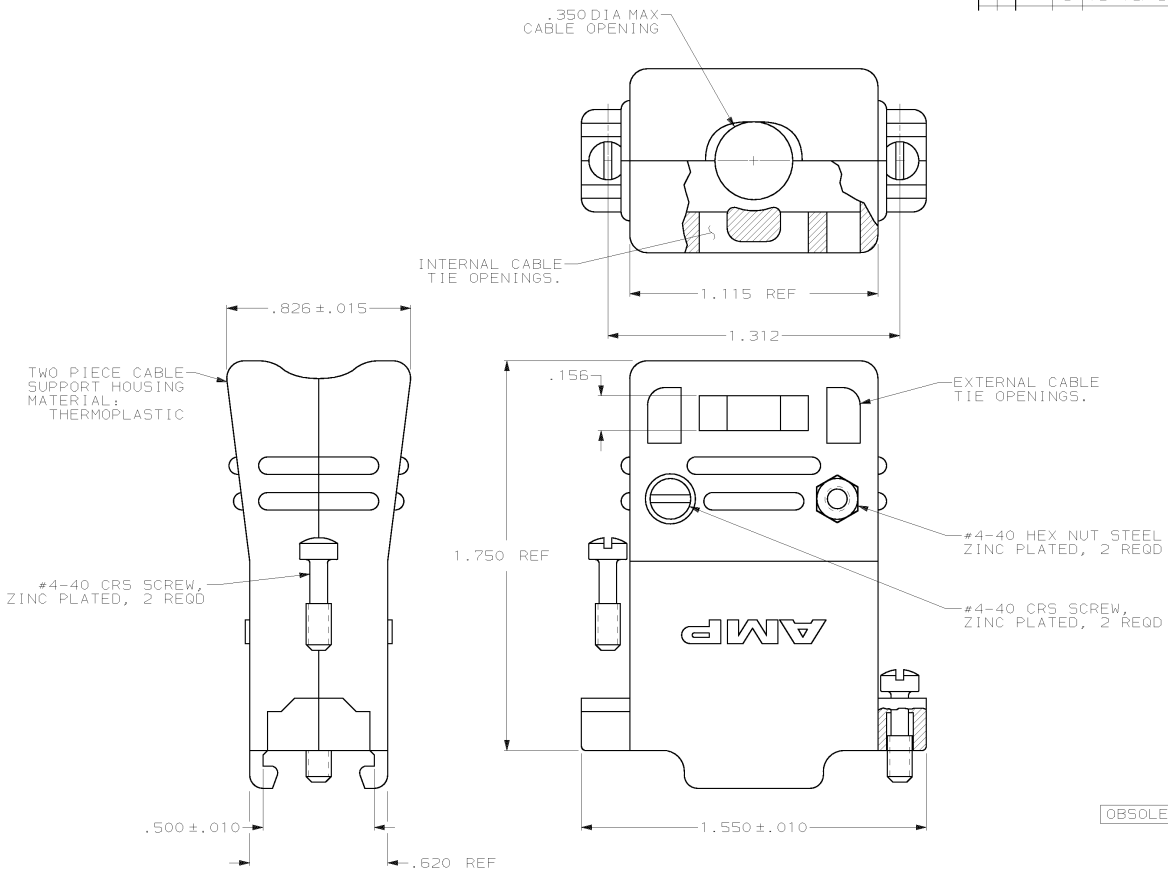


DRAWING MADE IN THIRD ANGLE PROJECTION

THIS DRAWING IS UNPUBLISHED. RELEASED FOR PUBLICATION .19
 © COPYRIGHT 19 BY AMP INCORPORATED. ALL INTERNATIONAL RIGHTS RESERVED.

REVISIONS									
MOD	LOC	DIST	P	F	ZONE	LTR	DESCRIPTION	DATE	APPD
-	GP	00					E REV PER EC 001D-0247-00	16 JAN 92	JR



OBSOLETE		206471-2
	AS SHOWN	206471-1
	PACKAGING	PART NUMBER

1. THIS PART WILL FIT ANY STANDARD SIZE 2 PLUG OR RECEPTACLE IN THE AMPLIMITE SERIES.

2. ALL PARTS ARE PACKAGED UNASSEMBLED.

SAME AS -1 EXCEPT EACH PART BULK PACKED, MINIMUM ORDER 10,000 KITS.

DO NOT SCALE PRINT. UNLESS SPECIFIED DIMENSIONS IN INCHES. TOLERANCES ON : 2 PLC DEC ± - 3 PLC DEC ± .005 ANGLES ± -		DR 5-3-90 J GALLUCCI B6		AMP INCORPORATED Harrisburg, Pa. 17105	
MATERIAL SEE CALLOUT		CHK - APPD - PRODUCT SPEC -			
FINISH SEE CALLOUT		APPLICATION SPEC -		CABLE CLAMP ASSEMBLY, SIZE 2, 15 POSITION, AMPLIMITE™ HD-20	
WEIGHT -		SCALE 4:1		SIZE FSCM NO DRAWING NO C 00779 206471	
				SHEET 1 OF 1	

CUSTOMER DRAWING