

VS-15-SET-EMV

Order No.: 1689132

The illustration shows the version VS-09-SET-EMV

<http://eshop.phoenixcontact.de/phoenix/treeViewClick.do?UID=1689132>

D-SUB connector set, shell size 2, IP67 protection, with shrouds

Commercial data

EAN	4017918877996
Pack	1 pcs.
Customs tariff	85366990
Weight/Piece	0.08385 KG
Catalog page information	Page 329 (PC-2009)

Product notes

WEEE/RoHS-compliant since:
06/20/2006

<http://www.download.phoenixcontact.com>
Please note that the data given here has been taken from the online catalog. For comprehensive information and data, please refer to the user documentation. The General Terms and Conditions of Use apply to Internet downloads.

Technical data

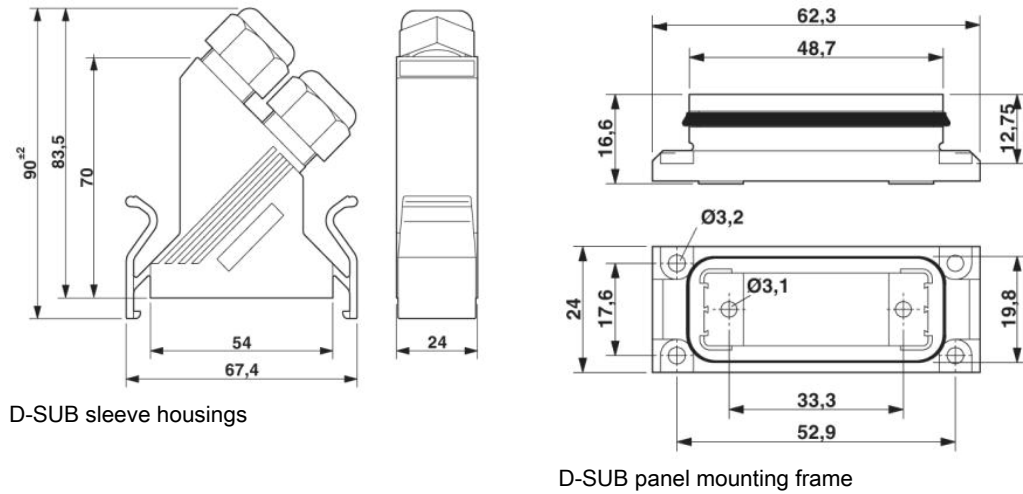
General characteristics

Design	15
Degree of protection	IP67
Inflammability class acc. to UL 94	V0
Cable exit	Angled
Housing material	PA

Seal material	Flat gasket: NBR; profile gasket: EPDM
Ambient temperature (operation)	-40 °C ... 80 °C

Diagrams/Drawings

Dimensioned drawing



Address

PHOENIX CONTACT Deutschland GmbH
Flachsmarktstr. 8
32825 Blomberg, Germany
Phone +49 5235 3 12000
Fax +49 5235 3 41200
<http://www.phoenixcontact.de>



© 2010 Phoenix Contact
Technical modifications reserved;