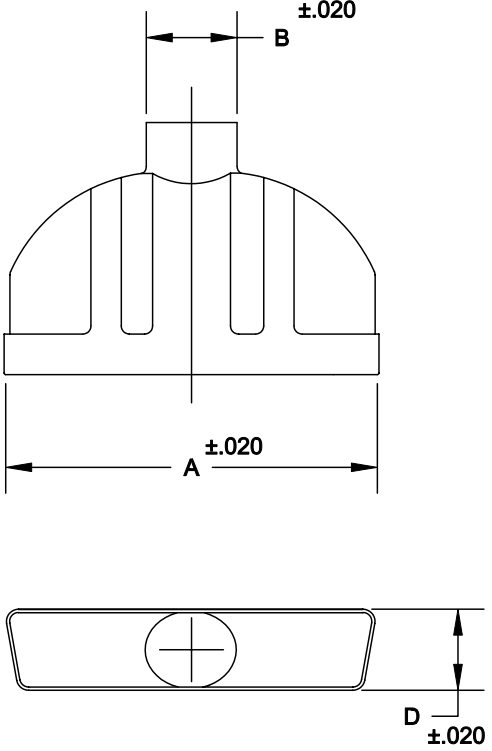


DESCRIPTION: 986 SERIES OVER-MOLD CANS



986-XXX-XXXLXX1

SERIES _____
 POSITIONS _____
 009 _____
 015 _____
 025 _____
 037 _____
 050 _____


MATERIAL _____
 COLD ROLLED STEEL

PLATING: _____
 12 = NICKEL

PUT-UPS _____
 1 = KIT

	A	B	C	D	MAX. CABLE DIA.
9	.815	.410	1.200	.490	.375
	20.70	10.41	30.48	12.45	9.50
15	1.150	.410	1.200	.490	.375
	29.21	10.41	30.48	12.45	9.50
25	1.690	.410	1.200	.490	.375
	42.93	10.41	30.48	12.45	9.50
37	2.340	.610	1.650	.490	.575
	59.44	15.49	41.91	12.45	14.60
50	2.240	.580	1.650	.600	.575
	56.90	14.73	41.91	15.24	14.60

MATERIAL: STEEL
 PLATING: TIN
 RoHS COMPLIANT

	THESE DRAWINGS AND SPECIFICATIONS ARE THE PROPERTY OF NorComp AND SHALL NOT BE REPRODUCED, COPIED OR USED AS THE BASIS FOR THE MANUFACTURE OF SALE OF APPARATUS WITHOUT WRITTEN PERMISSION.		DRAWN: WAYNE ROBBINS	DATE: 9-15-05
	NorComp			CHECKED:
SCALE: 1:1				SHEET 1
NorComp			DWG NO. 986-XXX-020L121	