

4

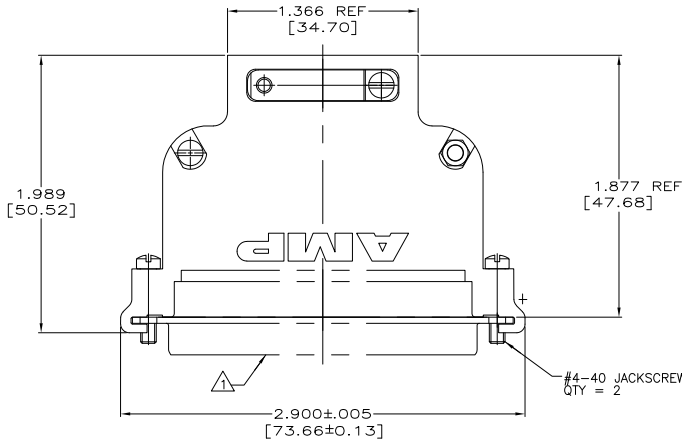
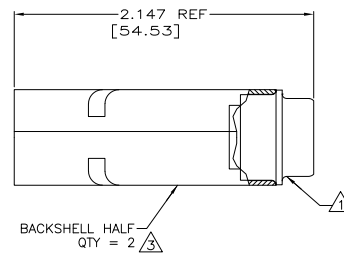
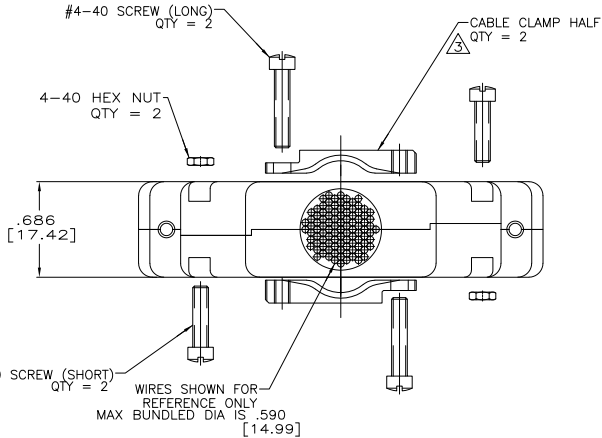
3

2

1

THIS DRAWING IS UNPUBLISHED. RELEASED FOR PUBLICATION. ALL RIGHTS RESERVED.

LOC		DST		REVISIONS		
DF	DO	P	LTR	DESCRIPTION	DATE	BY
		P		REVISED PER ECO-11-005030	11MAR11	RK HMR



- △ AMPLIMITE CONNECTOR SHOWN FOR REFERENCE ONLY. NOT SUPPLIED WITH BACKSHELL.
- 2. BACKSHELL KIT SHIPPED UNASSEMBLED, SHOW ASSEMBLED FOR REFERENCE ONLY.
- △ BACKSHELL & CABLE CLAMP MATERIAL:
ALUMINUM PER ASTM-B-221
BACKSHELL & CABLE CLAMP FINISH:
ELECTROLESS NICKEL PER MIL-C-26074, CLASS I
- 4. MOUNTING HARDWARE MATERIAL & FINISH:
CARBON STEEL PER ASTM-A-108
ZINC PLATED PER ASTM-B-633, CLEAR CHROMATE

1218407-1
PART NO.

THIS DRAWING IS A CONTROLLED DOCUMENT.		DR C.C. THOMAS 2-9-99	TE Connectivity	
DIMENSIONS: INCHES[MM]		CHK J. NORTON 3-10-99	NAME AMPLIMITE KIT, SIZE 6, TWO PIECE ALUMINUM BACKSHELL	
MATERIAL SEE CALLOUTS		APP'D J. NORTON 3-10-99	SIZE A2	RESTRICTED TO —
FINISH SEE CALLOUTS		APPLICATION SPEC —	CAGE CODE 00779	DRAWING NO C=1218407
		WEIGHT —	SCALE 2:1	
		CUSTOMER DRAWING		SHEET 1 of 1
				REV P

1471-9 (3/11)

1218407

A