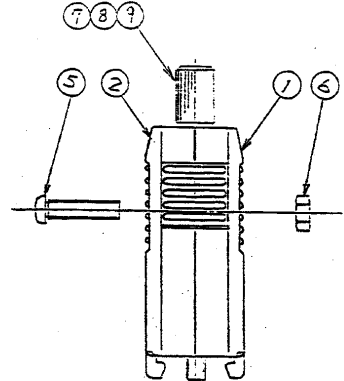
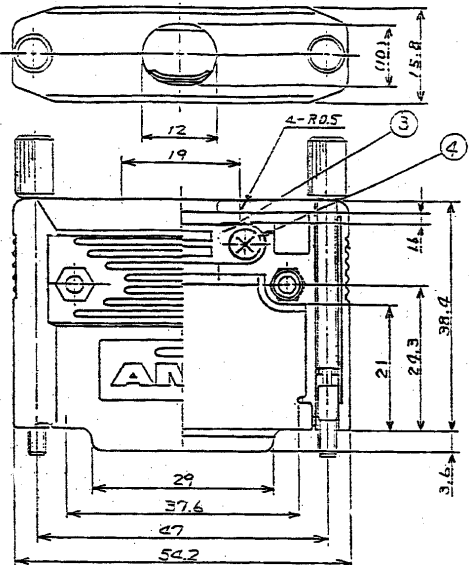


THIS DRAWING IS UNPUBLISHED. RELEASED FOR PUBLICATION
 © COPYRIGHT 2001 BY TYCO ELECTRONICS CORPORATION. ALL RIGHTS RESERVED.

LOC	DIST	REVISIONS			
P	LTR	DESCRIPTION	DATE	DWN	APVD
C		REDRAWN&REVISED FJ00-1674-00	20APR2001	C.O	K.I



- 1 適用ケーブル外径: 10.5~11.5mm
CABLE DIA
- 2 適用コネクタ型番: 205208-1(HDP-20, プラグ)
CONNECTOR P/N (HDP-20, PLUG)
207464-1(HDP-20, プラグ)
(HDP-20, PLUG)
207464-2(HDP-20, プラグ)
(HDP-20, PLUG)
205207-1(HDP-20, リセ)
(HDP-20, REC)
207463-1(HDP-20, リセ)
(HDP-20, REC)

OBSOLETE

QTY	ITEM NO	DESCRIPTION	MATERIAL	FINISH	ITEM
2	174474-2	#4-40 MOUNTING SCREW	CARBON STEEL	NICKEL PL	9
2	174501-2	M2.5 MOUNTING SCREW	CARBON STEEL	NICKEL PL	8
2	174186-2	M3 MOUNTING SCREW	CARBON STEEL	NICKEL PL	7
2	2	M3 HEX NUT	BRASS	NICKEL PL	6
2	2	M3 SCREW	BRASS	NICKEL PL	5
2	2	M3 SCREW WITH SPRING WASHER	CARBON STEEL	NICKEL PL	4
1	1	STEEL CLAMP	CARBON STEEL	NICKEL PL	3
1	1	CABLE COVER(B) SIZE3, P TYPE	ABS (94V-0)	NICKEL PL	2
1	1	CABLE COVER(A) WITH BIT, SIZE3, P TYPE	ABS (94V-0)	NICKEL PL	1
-3	-2	-1	(P/N)	DISCUSSION	MATERIAL FINISH ITEM

THIS DRAWING IS A CONTROLLED DOCUMENT.		DWN C. OHASHI CHK K. IKEGAMI	16MAR01 20APR2001	Tyco Electronics AMP K.K. Kawasaki, Japan	
DIMENSIONS: 単位: 概 mm	TOLERANCES UNLESS OTHERWISE SPECIFIED: 一般公差	APVD K. IKEGAMI	NAME 名称	CABLE CLIMP KIT SIZE 3.25P FOR AMPLITE SERIES	
MATERIAL 材質	FINISH 仕上	PRODUCT SPEC 製品規格	SIZE	CAGE CODE	DRAWING NO
		APPLICATION SPEC 取付手順規格	A3100779	C-176221	176221
SEE TABLE	SEE TABLE	WEIGHT	CUSTOMER DRAWING		RESTRICTED TO
		SCALE	1:1	SHEET	1 OF 1