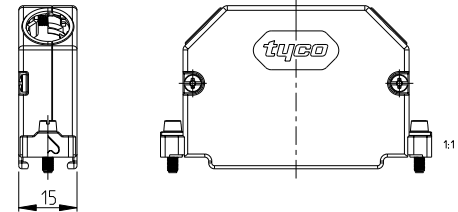
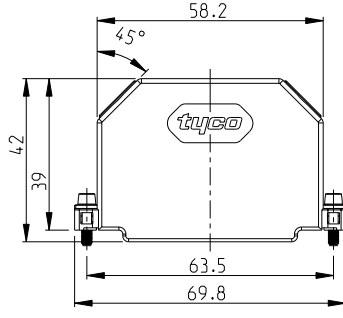
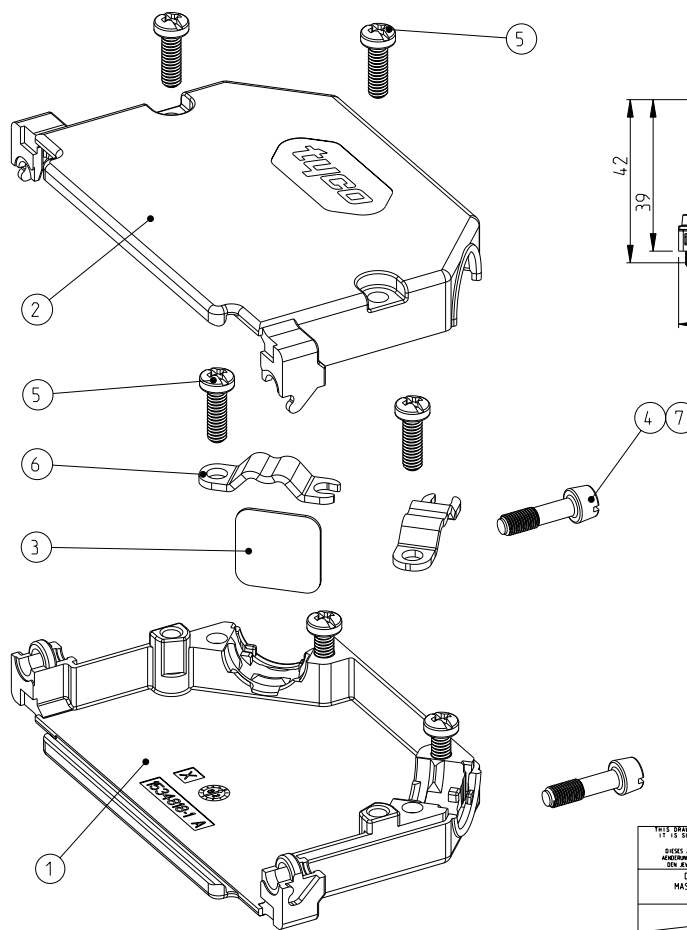


THIS DRAWING IS UNPUBLISHED  
 VERBODEN DE ZEKERHEID VAN DE ZEKERHEID  
 RELEASED FOR PUBLICATION  
 FREI FÜR VERÖFFENTLICHUNG  
 11.JUL 2002  
 2002  
 COPYRIGHT 2002 BY TYCO ELECTRONICS CORPORATION. ALL RIGHTS RESERVED.  
 ALLE RECHTE VORBEHALTEN

REV	DATE	BY	CHK	DESCRIPTION
A2	02OCT2002	MB	RK	GAP FOR DUMMY PLATE REDUCED
A3	18FEB2003	MB	RK	DASH NO.: SPEC. NO.: MIN. ORDER QTY ADDED
B1	03FEB2006	SH	RK	ITEM 4: MOUNTING SCREW CHANGED
B2	18DEC2009	KK	AEG	REVISED PER ECO-09-027197



PACKING UNIT: PARTS PACKED LOOSE PIECE INTO MINIGRIP BAG  
 10 MINIGRIP BAGS PACKED INTO FOLDING BOX  
 RECOMMENDED CABLE DIAMETER: 4.8mm - 11mm  
 VERPACKUNGSEINHEIT: TEILE LOSE IN PLASTIKBEUTEL VERPACKT  
 10 PLASTIKBEUTEL IN FALTSCHACHEL VERPACKT  
 EMPFOHLENE KABELDURCHMESSER: 4.8mm - 11mm

QTY	POS.	DESCRIPTION	MATERIAL
2	7	HEXAGON SOCKET HEAD SCREW SCHRAUBE MIT INNENSECHSKANT UNC 4-40	ZINC PLATED STAHL
2	6	CABLE CLAMP KABELSCHELLE	ZINC PLATED STAHL
6	5	TAPTITE-SCREW M2.5x8 TAPTITE-SCHRAUBE M2.5x8	ZINC PLATED STAHL
-	4	MOUNTING SCREW UNC 4-40 MONTAGESCHRAUBE UNC 4-40	ZINC PLATED STAHL
1	3	DUMMY PLATE BLINDPLATTE	PLAIN STAHL
1	2	COVER HALF (UPPER PART) KAPPENHAELFTE (OBERTEIL)	PLAIN GD - Zn
1	1	COVER HALF (LOWER PART) KAPPENHAELFTE (UNTERTEIL)	PLAIN GD - Zn

AMP ORDER NO. BESTELL-NR.	DASH NO.	DASH NO.	POS.	DESCRIPTION BENENNUNG	SURFACE OBERFLAECHE	MATERIAL
1534 811	-	-			COLOUR/FARBE	

THIS DRAWING IS A CONTROLLED DOCUMENT FOR TYCO ELECTRONICS CORPORATION  
 IT IS SUBJECT TO CHANGE AND THE CONTROLLING ENGINEERING ORGANIZATION  
 SHOULD BE CONTACTED FOR THE LATEST REVISION.  
 DIESER ZEICHNUNGSDOKUMENT WIRD VON DER KONTROLLIERENDE ORGANISATION  
 ANGEWANDEN. DIE DEN TECHNISCHEN FORTSCHRITT BEZUGENDE VERÄNDERUNGEN  
 SIND DIESER ZEICHNUNG FÜR ANWENDER UND ANBIETER ZU VERFÜGBAR.

DIMENSIONS: MASSEWEITEN: (mm)  
 TOLERANCES UNLESS OTHERWISE SPECIFIED: ALLGEMEINTOLERANZEN:  
 0 PLC ±0.15  
 1 PLC ±0.15  
 2 PLC ±0.15  
 3 PLC ±  
 4 PLC ±  
 ANGLES/DIMEL: ±  
 MATERIAL: FINISH/OBERFLAECHE/FARBE

OWN: M. Bollenbach 01JUL2002  
 CHK: R. Kraemer 01JUL2002  
 APVD: G. Feldmeier 01JUL2002  
 PRODUCT SPEC: 114-18880-1  
 APPLICATION SPEC: 114-18880-1  
 WEIGHT: -  
 CUSTOMER DRAWING: /KUNDENZEICHNUNG

tyco Electronics AMP GmbH  
 D - 64625 Bensheim

NAME: HD20 - COVER KIT (37 POS.)  
 WITH CABLE CLAMP / MIT KABELSCHELLE

SIZE: A3  
 CAGE CODE: 00779  
 DRAWING NO: 1534811  
 RESTRICTED TO: -

SCALE: 1:1  
 SHEET: 1 OF 1  
 REV: B2

1 OBSOLETE PARTS: OBSOLETE CIS STREAMLINING PER D.RENAUD/D.SINISI