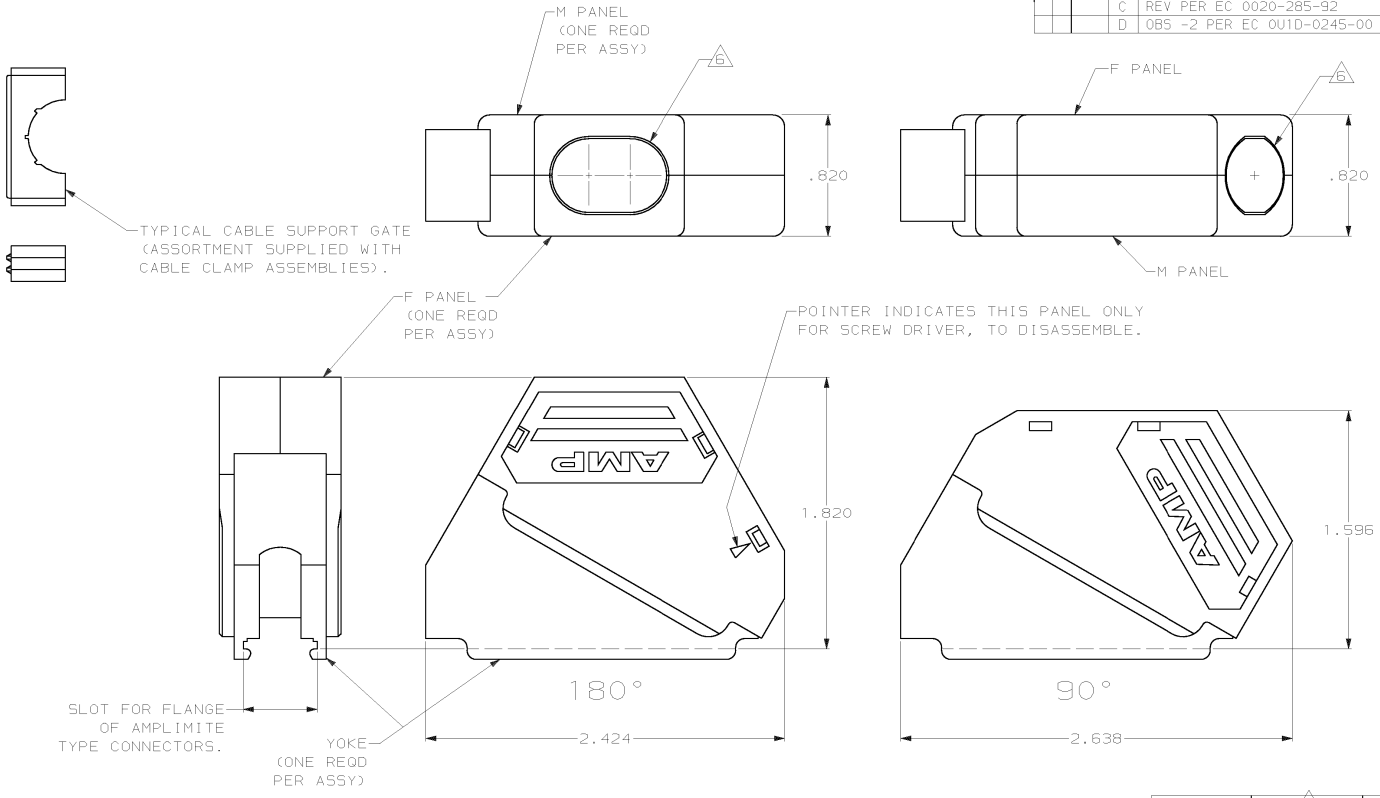


DRAWING MADE IN THIRD ANGLE PROJECTION
 THIS DRAWING IS UNPUBLISHED. RELEASED FOR PUBLICATION 19
 © COPYRIGHT 19 BY AMP INCORPORATED. ALL INTERNATIONAL RIGHTS RESERVED.

LOC	DIST	P	F	ZONE	LTR	DESCRIPTION	DATE	APPD
BD	0							
				B		REDRAWN ON CAD	5-11-90	-
				C		REV PER EC 0020-285-92	07/20/93	JM
				D		OBS -2 PER EC 0010-0245-00	05 FEB 01	DK



- 1 ALL PARTS PACKAGED UNASSEMBLED.
- 2 SAME PARTS CAN BE ASSEMBLED IN EITHER 180° OR 90° CONFIGURATION, AS SHOWN.
- 3 KIT CONSISTING OF FOUR INDIVIDUAL PARTS, AS SHOWN.
- 4 EACH PART IS INDIVIDUALLY BULK PACKED FOR MULTIPLE KIT ORDERS.
- 5. PARTS ASSEMBLE WITHOUT HARDWARE.
- 6 CLAMP ACCOMMODATES DISCRETE WIRES OR JACKETED CABLE UP TO .750 INCH DIAMETER.

OBSOLETE	745311-2
	745311-1
PACKAGING	PART NUMBER

DO NOT SCALE PRINT. UNLESS SPECIFIED DIMENSIONS IN INCHES TOLERANCES ON : 2 PLC DEC ± - 3 PLC DEC ± .015 ANGLES ± -		DR 5-11-90 J GALLUCCI BG		AMP INCORPORATED Harrisburg, Pa. 17105	
MATERIAL BLACK THERMOPLASTIC		CHK 6-15-90 W.G.LENKER			
FINISH -		APPD 7-9-90 J.E.WEST		NAME KIT, CABLE CLAMP ASSY, SIZE 4, AMPLIMITE™	
APPLICATION SPEC -		PRODUCT SPEC -		SIZE C	FSCM NO 00779
WEIGHT -		DRAWING NO 745311		SHEET 1 OF 1	

CUSTOMER DRAWING