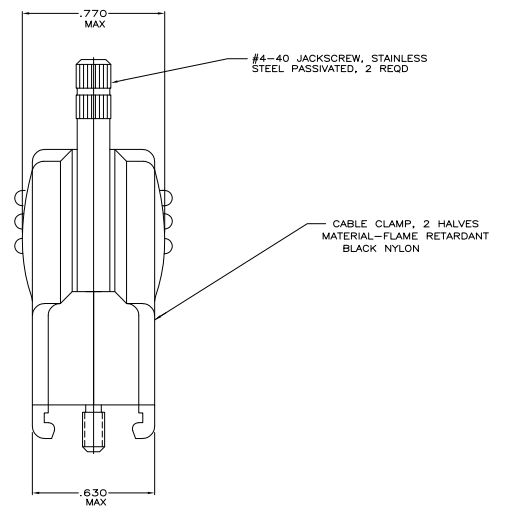
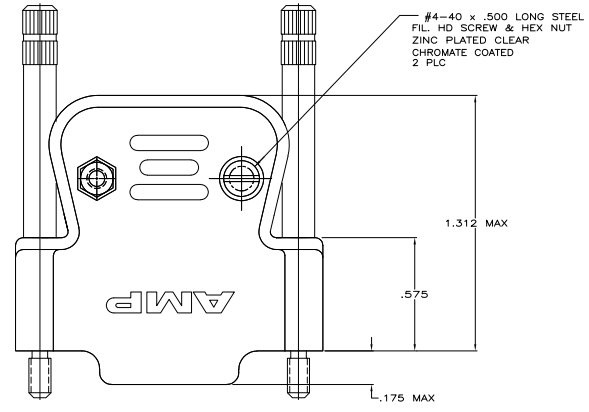
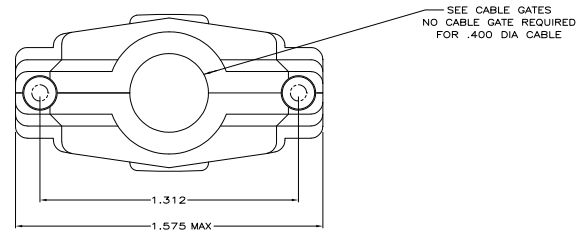


CABLE GATES



1. PARTS PACKAGED UNASSEMBLED.

5745122-2
 PART NO

THIS DRAWING IS A CONTROLLED DOCUMENT.		BY RICHMOND	148EP05	DATE	148EP05
INCHES		BY SOLIDE	148EP05	DATE	148EP05
DIMENSIONS		BY M. W. MURPHY	148EP05	DATE	148EP05
TOLERANCES UNLESS SPECIFIED:		BY SPECIFICATION SPEC		DATE	
FRACTIONS		BY		DATE	
DECIMALS		BY		DATE	
SEE CALLOUTS		BY		DATE	
SEE CALLOUTS		BY		DATE	
CUSTOMER DRAWING		BY		DATE	
TITLE		BY		DATE	
CABLE CLAMP SIZE 2, 15 POSITIONS CONNECTOR WITH TURNABLE JACKSCREWS, AMP-LIMIT		BY		DATE	
SIZE	DATE	DATE	DATE	DATE	DATE
A1	00779	06	5745122		
SHEET		4:1		1 of 1	