

4

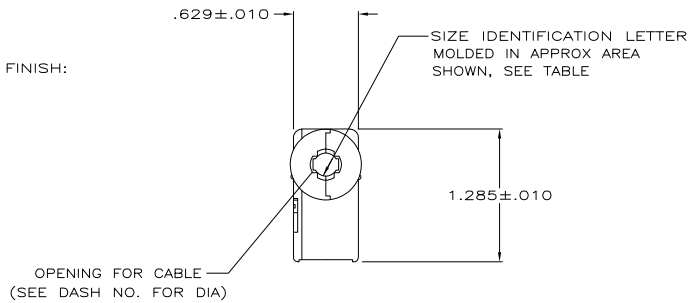
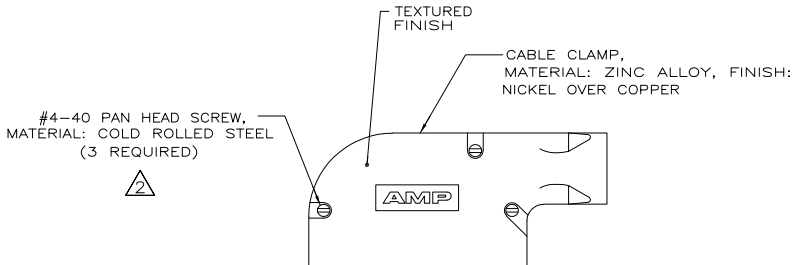
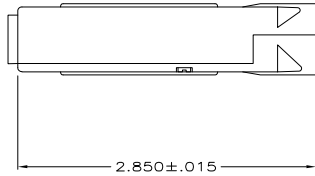
3

2

1

THIS DRAWING IS UNPUBLISHED. RELEASED FOR PUBLICATION  
 © COPYRIGHT BY TYCO ELECTRONICS CORPORATION. ALL RIGHTS RESERVED.

| LOC | DIST | REVISIONS                    |         |      |      |
|-----|------|------------------------------|---------|------|------|
| P   | LTR  | DESCRIPTION                  | DATE    | BY   | APPD |
| 0   |      | RELEASED PER EC 0513-0226-05 | 8-16-05 | D.H. | J.G. |



1. ALL PARTS PACKAGED UNASSEMBLED.

ZINC PLATED .000200-.000400 THICK, CLEAR CHROMATE COATING.

**COPYRIGHT 2005  
 TYCO ELECTRONICS CORP  
 ALL RIGHTS RESERVED**

|                   |           |             |
|-------------------|-----------|-------------|
| K                 | .430      | 5747194-3   |
| SIZE IDENT LETTER | CABLE DIA | PART NUMBER |

|  |         |                          |   |
|--|---------|--------------------------|---|
| THIS DRAWING IS A CONTROLLED DOCUMENT. |         | DR. D. HENRY 8-16-05     | Tyco Electronics Corporation<br>Harrisburg, Pa 17105-3608   |
| DIMENSIONS: INCHES                     |         | OK. R. HIDE 8-16-05      |   |
| TOLERANCES UNLESS OTHERWISE SPECIFIED: |         | APP. M. WALMSLEY 8-16-05 | NAME  |
| Ø PLG                                  | ± .0005 | APPLICATION SPEC         | CABLE CLAMP KIT, SIZE 3, 25 POSITION, 90°, AMPLIMITE SERIES |
| Ø PLG                                  | ± .0005 | HEIGHT                   | SIZE CASE CODE DRAWING NO. RESTRICTED TO                    |
| Ø PLG                                  | ± .0005 | FINISH                   | A2 00779 C-5747194  |
| Ø PLG                                  | ± .0005 | MATERIAL                 | CUSTOMER DRAWING  |
| Ø PLG                                  | ± .0005 | SEE CALLOUTS             | SCALE 1:1 SHEET 1 OF 1 REV 0                                |

AMP 1471-9 REV 31MM2000

5747194

A