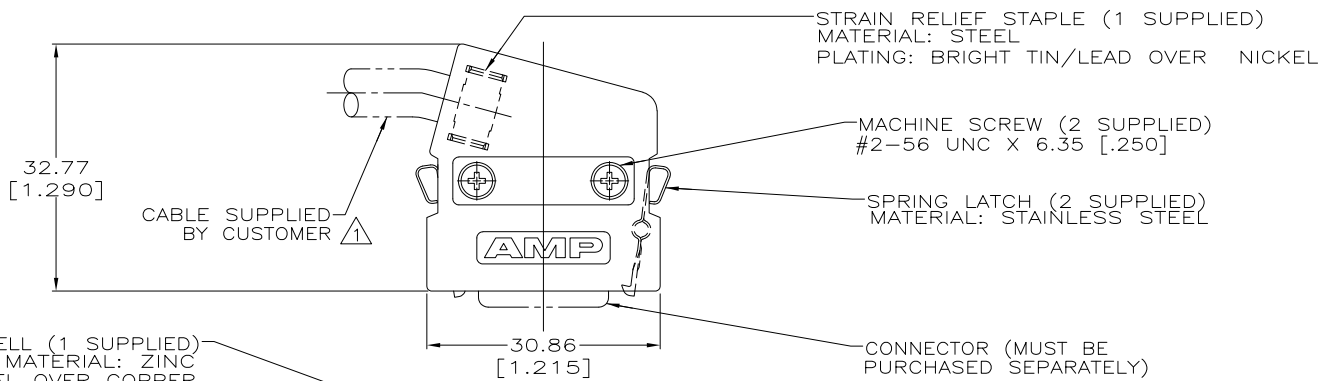


DRAWING MADE IN THIRD ANGLE PROJECTION

THIS DRAWING IS UNPUBLISHED. RELEASED FOR PUBLICATION .19
 © COPYRIGHT 19 BY AMP INCORPORATED. ALL INTERNATIONAL RIGHTS RESERVED.

LOC	DIST	P	F	ZONE	LTR	DESCRIPTION	DATE	APPD	
GP	00					D	REVISED PER EC 0S13-0401-04	11NOV04	JG
						D1	REVISED PER ECO-09-022424	15SEP09	AEG



2	OBsolete	BULK - 150 PIECES	-749199-2-
		INDIVIDUAL - 1 PIECE	749199-1
		PACKAGING	PART NO

- 1 6.86 [.270] MAX CABLE DIA
- 2 OBSOLETE PARTS: OBSOLETE CIS STREAMLINING PER D.RENAUD/D.SINISI

METRIC

DO NOT SCALE PRINT. UNLESS SPECIFIED DIMENSIONS IN mm [INCHES] TOLERANCES ON: 2. PLC DEC ± 3. PLC DEC ± 0.38 [.015] ANGLES ± -	DR 12/20/88 M.E. SHIRK CHK 12/20/88 M.A.MCCAFFREY APPD 12/20/88 J.L. BROSHARD APPD 12/20/88 C.E. REYNOLDS	AMP AMP INCORPORATED Harrisburg, Pa. 17105	NAME INDIVIDUAL KIT, UNASSEMBLED, 20 POSITION, 75° EXIT, UNKEYED, AMPLIMITE .050 Series
MATERIAL -	PRODUCT SPEC -	SIZE B	FSCM NO 00779
FINISH -	APPLICATION SPEC -	SCALE 2:1	DRAWING NO 749199
	WEIGHT -		SHEET 1 OF 1

AMP 1470-15 REV 3-87
 Tronics/061112,215613 (YYMDD.HHMMSS) from
 Compersision, Inc., Medusa Revision 1.2.2.51

CUSTOMER DRAWING