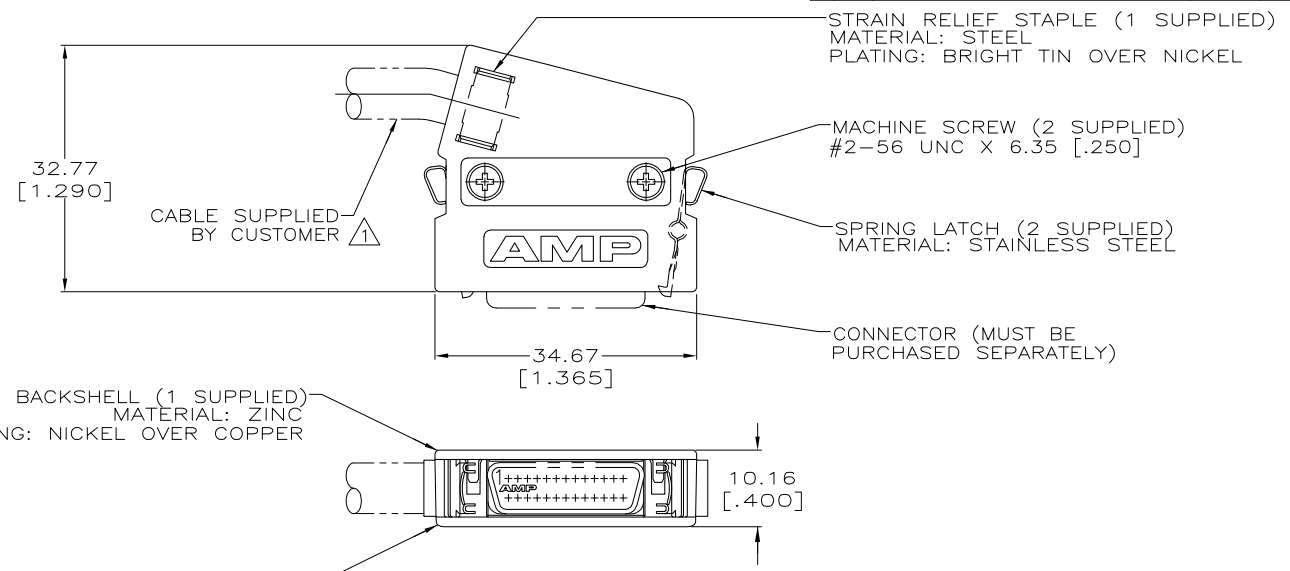


THIS DRAWING IS UNPUBLISHED. RELEASED FOR PUBLICATION
 © COPYRIGHT BY TYCO ELECTRONICS CORPORATION. ALL RIGHTS RESERVED.

LOC	DIST	REVISIONS				
GP	00	P	LTR	DATE	DWN	APVD
		0		RELEASED PER EC 0513-0001-05	26AUG05	GP JG



- ⚠ 6.86 [.270] MAX CABLE DIA.
- ⚠ PARTS PACKAGED AS A UNIT KIT.
- ⚠ INDIVIDUALLY BULK PACKAGED.

**COPYRIGHT 2005
 TYCO ELECTRONICS CORP
 ALL RIGHTS RESERVED**

⚠	5749609-2
⚠	5749609-1
PACKAGING	PART NO

THIS DRAWING IS A CONTROLLED DOCUMENT.		DWN	26AUG05	 Tyco Electronics Corporation Harrisburg, PA 17105-3608			
		CHK	26AUG05				
		APVD	26AUG05				
		NAME					
DIMENSIONS:	TOLERANCES UNLESS OTHERWISE SPECIFIED:	PRODUCT SPEC		INDIVIDUAL KIT, UNASSEMBLED, 26 POSITION, 75 DEG EXIT, UNKEYED, AMPLIMITE .050 Series			
mm [INCHES]		APPLICATION SPEC					
0 PLC ± -	0 PLC ± -	WEIGHT		SIZE	CAGE CODE	DRAWING NO	RESTRICTED TO
1 PLC ± -	1 PLC ± -			A3	00779	C=5749609	
2 PLC ± -	2 PLC ± -	CUSTOMER DRAWING		SCALE	SHEET	1 OF 1	REV
3 PLC ± 0.38[.015]	3 PLC ± -			1:1	1		0
4 PLC ± -	4 PLC ± -						
ANGLES ± -	ANGLES ± -						
MATERIAL	FINISH						