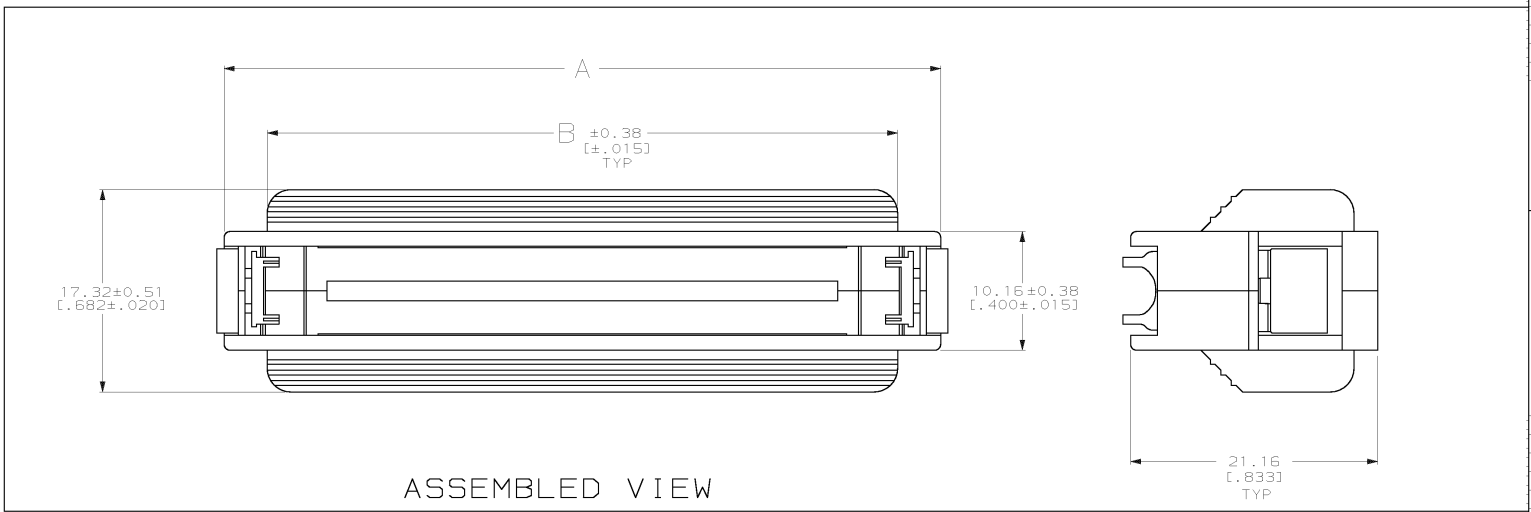


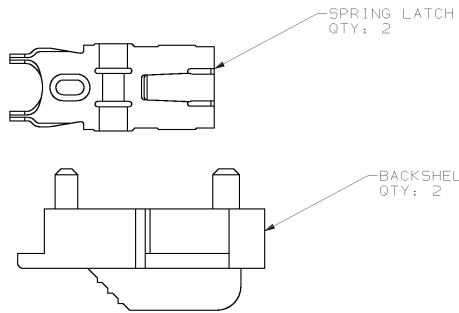
THIS DRAWING IS UNPUBLISHED. RELEASED FOR PUBLICATION .19  
 © COPYRIGHT 19 BY AMP INCORPORATED. ALL INTERNATIONAL RIGHTS RESERVED.

REVISIONS					
LOC	DIST	P	F	ZONE	LTR
GP	00				
				B	REVISED PER EC 051C-0354-01
					DATE
					APPRO
					07/14/02 JG

⚠ BACKSHELLS - ABS, BLACK, UL 94V-0 RATED.  
 SPRING LATCHES - STAINLESS STEEL.



ASSEMBLED VIEW



	53.98 [2.125]	61.34 [2.415]	68	787032-7
OBSOLETE	42.54 [1.675]	49.91 [1.965]	50	787032-5
	B	A	NO OF POSN	PART NUMBER

PART NO			
DO NOT SCALE PRINT. UNLESS SPECIFIED DIMENSIONS IN MM (INCHES) TOLERANCES ON : 2 PLC DEC ±0.13 (.005) 3 PLC DEC # - ANGLES ± -	DR 09/21/93 CHAD BAKER	AMP Incorporated Harrisburg, PA 17105-3608	
MATERIAL	CHK 09/27/93 R. STONE	NAME BACKSHELL KIT, UNASSEMBLED, WITH SPRING LATCHES, PLUG, .025CL, AMPLIMITE™ 50 SERIES	
FINISH	APPD 09/28/93 L. BREKOSKY	SIZE	CAGE CODE
	APPD 09/28/93 J. ASSINI	114-40049	00779
	PRODUCT SPEC 108-1359	DRAWING NO	787032
	APPLICATION SPEC	WEIGHT	SCALE
			4:1
			SHEET
			1 OF 1

THIS DRAWING IS A CONTROLLED DOCUMENT FOR AMP INCORPORATED. IT IS SUBJECT TO CHANGE AND THE CONTROLLING ENGINEERING ORGANIZATION SHOULD BE CONTACTED FOR THE LATEST REVISION.