

4

3

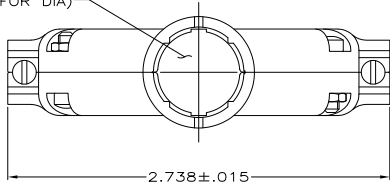
2

1

THIS DRAWING IS UNPUBLISHED. RELEASED FOR PUBLICATION
 © COPYRIGHT BY TYCO ELECTRONICS CORPORATION. ALL RIGHTS RESERVED.

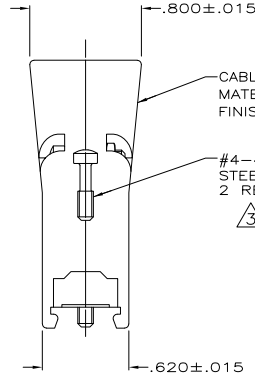
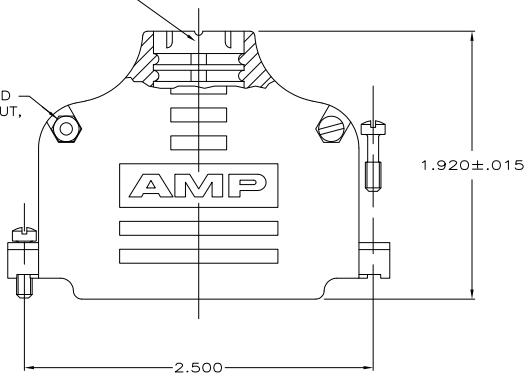
LOC	DIST	REVISIONS					
GP	00	P	LR	DESCRIPTION	DATE	BY	APPD
		A		REVISED PER ECN 0513-0336-05	24JUL06	JDP	CWR
		A1		REVISED PER ECO-10-000444	19JAN10	KK	HMR

OPENING FOR CABLE
 (SEE DASH NO FOR DIA)



SIZE IDENTIFICATION
 LETTER MOLDED HERE
 (SEE TABLE)

#4-40 FILLISTER HEAD
 STEEL SCREW & HEX NUT,
 2 REQD.



CABLE CLAMP
 MATERIAL: FLAME RETARDANT THERMOPLASTIC,
 FINISH: BRIGHT NICKEL OVER BRIGHT COPPER

#4-40 FILLISTER HEAD
 STEEL SCREW
 2 REQD.



1. ALL PARTS PACKAGED UNASSEMBLED.
2. THIS KIT CONSISTS OF 2 STRAIN RELIEF HALVES,
 2 #4-40 SCREWS, 2 #4-40 NUTS & 2 #4-40 MOUNTING SCREWS.

3 ZINC PLATED .000200-.000400 THICK,
 CLEAR CHROMATE COATING.

4 OBSOLETE PARTS: OBSOLETE CIS STREAMLINING PER D.RENAUD/D.SINISI

4	OBSOLETE	P	.530	1-5747100-1
	OBSOLETE	F	.350	5747100-9
		J	.425	5747100-7
	OBSOLETE	N	.500	5747100-5
		R	.575	5747100-3
		T	.650	5747100-1
		SIZE IDENT LETTER	CABLE DIA	PART NO.

**COPYRIGHT 2005
 TYCO ELECTRONICS CORP
 ALL RIGHTS RESERVED**

THIS DRAWING IS A CONTROLLED DOCUMENT.		BY	DATE	Tyco Electronics Corporation	
DIMENSIONS: INCHES		D. HENRY	8-16-05	Harrisburg, PA 17105-3608	
OTHERS' DIMENSIONS		C. ROHDE	8-16-05	Tyco Electronics	
MATERIAL		M. WALMSLEY	8-16-05	NAME	
FINISH				CABLE CLAMP KIT, SIZE 4, 37 POSITION, 180°, AMPLIMITE SERIES, PLATED PLASTIC	
SEE CALLOUTS		APPLICATION SPEC		SIZE	CAGE CODE
		PRODUCT SPEC		A2	00779
		WEIGHT		C	5747100
		CUSTOMER DRAWING		RESTRICTED TO	
				SCALE	1:1
				SHEET	1 of 1
				REV	A1

AMP 1471-9 REV 31MM2000

5747100

A