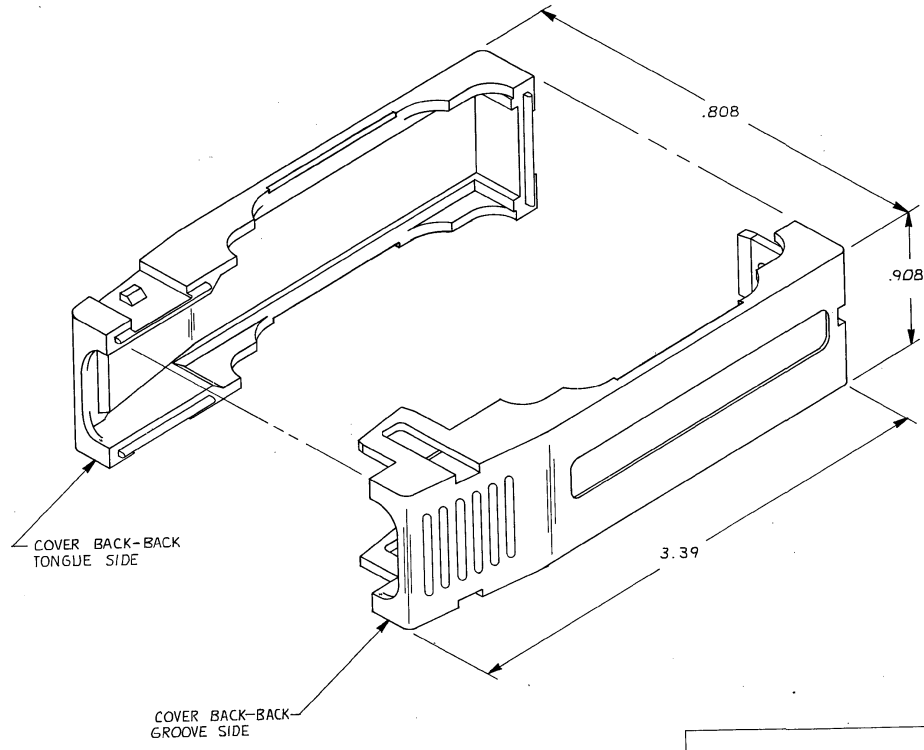


DRAWING MADE IN THIRD ANGLE PROJECTION

THIS DRAWING IS UNPUBLISHED. RELEASED FOR PUBLICATION . 19 .  
 © COPYRIGHT 19 BY AMP INCORPORATED, HARRISBURG, PA. ALL INTERNATIONAL RIGHTS RESERVED. AMP PRODUCTS MAY BE COVERED BY U.S. AND FOREIGN PATENTS AND/OR PATENTS PENDING.

REVISIONS					
P	F	ZONE/LTR	DESCRIPTION	DATE	APPROVED
	F		085-2, EC 0210-0416-96	2/20/85	PS mh

- 1 MATERIAL: POLYPHENYLENE, BLACK.
- 2 ALL DIMENSIONS ARE MAXIMUM UNLESS OTHERWISE SPECIFIED.
- 3 ONE KIT PER POLY BAG.



	.300 - .375	554831-1
PACKAGED	CABLE RANGE	PART NO

UNLESS OTHERWISE SPECIFIED DIMENSIONS ARE IN INCHES. TOLERANCES ON: DECIMALS .1 = ANGLES .1 =	CONTRACT NO	AMP   AMP INCORPORATED Harrisburg, Pa. 17105	
	DR B. SIMPSON 6-24-85	NAME	COVER KIT, BACK/BACK, 24 POSITION, CHAMP
MATERIAL	CHK B. Fox 6-27-85	SIZE	FSCM NO
FINISH	APPD B. Hutchins 6/27/85	C	00779
	APPD M. H. H. 6/27/85	DRAWING NO	554831
OTHER APPD	SCALE	2:1	SHEET 1 OF 1

CUSTOMER DRAWING

554831