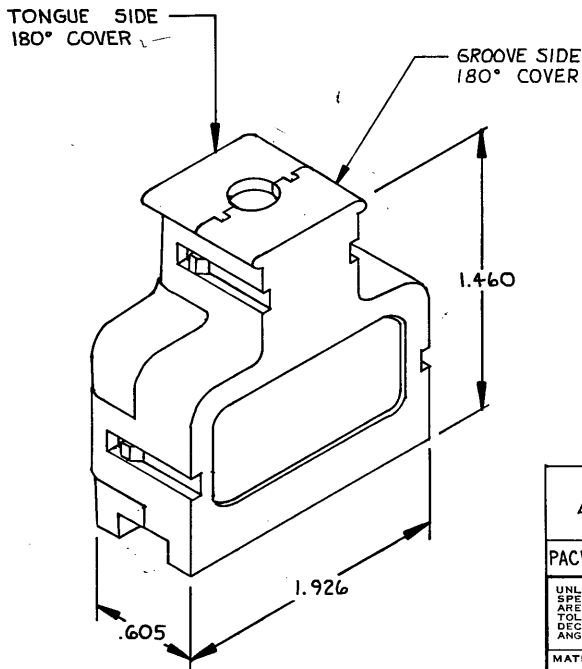


DRAWING MADE IN THIRD ANGLE PROJECTION

THIS DRAWING IS UNPUBLISHED. RELEASED FOR PUBLICATION 19
 © COPYRIGHT 19 BY AMP INCORPORATED, HARRISBURG, PA. ALL INTERNATIONAL RIGHTS RESERVED. AMP PRODUCTS MAY BE COVERED BY U.S. AND FOREIGN PATENTS AND/OR PATENTS PENDING.

2		1		LOC AA	DIST 2b
REVISIONS					
P	F	ZONE	LTR	DESCRIPTION	DATE
		L		OBS: 5/1; EC 0210-0602-95	20/04/83
					DS MH



1. ALL DIMENSIONS SHOWN ARE MAXIMUM UNLESS OTHERWISE SPECIFIED.
2. COVERS SHIPPED NOT ASSEMBLED.

⚠ 100 KITS BULK PACKAGED.

⚠	.480 - .520	BLACK	552072-6	552071-6	▲ -6
	.360 - .430		552072-5	552071-5	-5
	.290 - .360		552072-1	552071-1	552073-1
PACKAGED	CABLE RANGE	COLOR	GROOVE SIDE	TONGUE SIDE	KIT
	DIAMETER		PART NO.	PART NO.	PART NO.
UNLESS OTHERWISE SPECIFIED DIMENSIONS ARE IN INCHES. TOLERANCES ON: DECIMALS ± ANGLES ±			CONTRACT NO.		
			DR P.K. COLLINS 5-4-83		
			CHK Stephen Dowd 5-6-83		
MATERIAL POLYPHENYLENE			APPD C.F. Morgan 5/4/83		
			APPD AMP 5/19/83		
FINISH			DSGN APPD		
			OTHER APPD		
			SIZE B	FSCM NO 00779	DRAWING NO 552073
			SCALE 2:1		SHEET 1 OF 1

CUSTOMER DRAWING