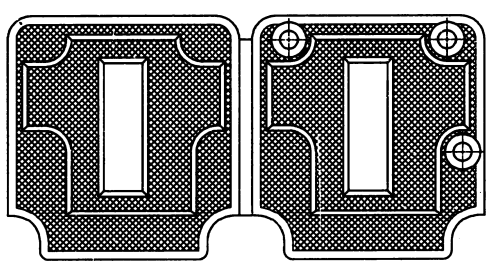
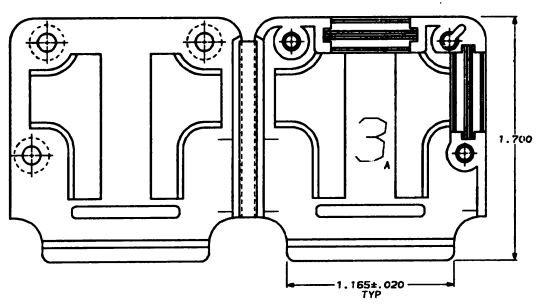
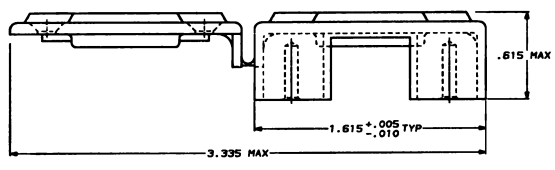


PLEASE NOTE: THIS DRAWING IS THE PROPERTY OF AMP INCORPORATED. IT IS TO BE USED FOR THE MANUFACTURE OF AMP PRODUCTS ONLY. IT IS NOT TO BE REPRODUCED OR TRANSMITTED IN ANY FORM OR BY ANY MEANS, ELECTRONIC OR MECHANICAL, INCLUDING PHOTOCOPYING, RECORDING, OR BY ANY INFORMATION STORAGE AND RETRIEVAL SYSTEM. ALL INFORMATION CONTAINED HEREIN IS UNCLASSIFIED EXCEPT WHERE SHOWN OTHERWISE.

REV. NO.		DATE	BY	DESCRIPTION	APPROVED
22	80	35			
REV. PER		REV. DATE	REV. BY	REV. DESCRIPTION	REV. APPROVED
C					



PLEASE INDICATE SPECIFIED DIMENSIONS ARE IN INCHES UNLESS OTHERWISE NOTED		DR 8-18-88	AMP INCORPORATED
2 P. DEC 8-	DR 8-18-88	S. HELSON	207346-1
3 P. DEC 8-88	APPD 8-18-88	C. HEDGECOCK	PART NUMBER
ANGLES 2-	S. SCHIFFELY		REMARKS
MATERIAL	APPD 8-18-88		
POLYPROPYLENE	T. KOPPA		
COLOR: BLACK	PRODUCT SPEC		
FINISH	APPLICATION SPEC	SIZE	PSGN NO
		D	00779
		SCALE	DRWING NO
		NTS	207346
			SHEET 1 OF 1

CABLE CLAMP HOUSING, SIZE 3, ONE PIECE, 90° & 180° EXIT, AMPLIMITE

CUSTOMER DRAWING