

DESCRIPTION: 977 SERIES D-SUB BACKSHELL

**BACKSHELL KIT INCLUDES:**

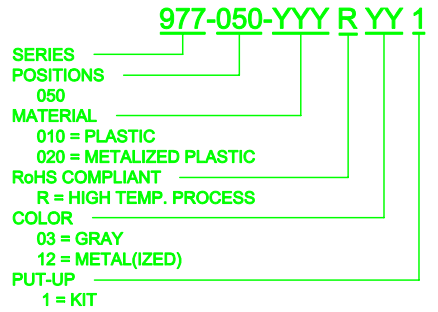
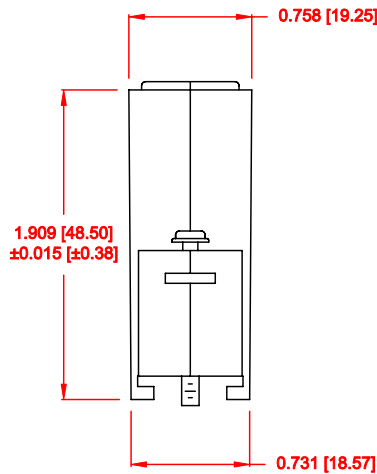
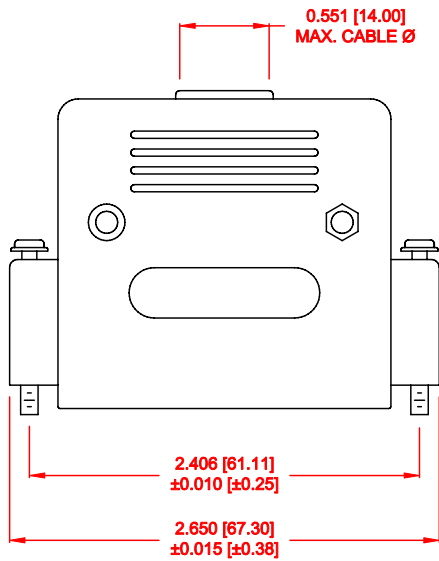
- (2) BACKSHELL HALVES
- (2) HOUSING SCREWS
- (2) HOUSING NUTS
- (2) 4-40 MOUNTING SCREWS
- (2) STRAIN RELIEF CLAMPS
- (2) STRAIN RELIEF SCREWS


**METALIZED PLASTIC:**

MATERIAL: ABS HIGH TEMPERATURE PLASTIC 94HB  
 METALIZED PLATING: CHROME

**PLASTIC:**

MATERIAL: ABS HIGH TEMPERATURE PLASTIC 94HB



	THESE DRAWINGS AND SPECIFICATIONS ARE THE PROPERTY OF NorComp AND SHALL NOT BE REPRODUCED, COPIED OR USED AS THE BASIS FOR THE MANUFACTURE OR SALE OF APPARATUS WITHOUT WRITTEN PERMISSION.		DRAWN: <b>C. SMITH</b>	DATE: <b>04-10-06</b>
			CHECKED:	DATE:
NorComp		SCALE:	SHEET <b>1</b> OF <b>1</b>	REV <b>2</b>
		DWG. NO. <b>977-050-0Y0RY1</b>		