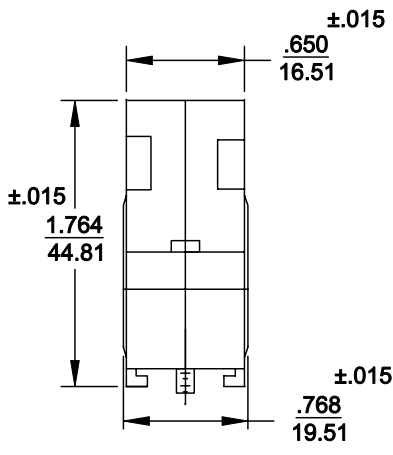
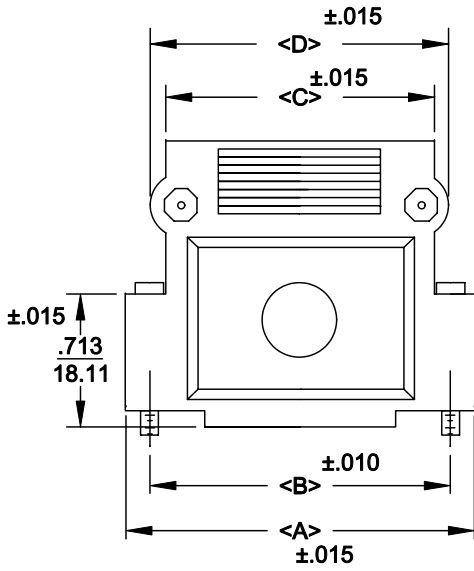


DESCRIPTION: **976 SERIES**

**BACKSHELL KIT INCLUDES:**  
 (2) BACKSHELL HALVES  
 (2) 4-40 MATING SCREWS  
 (2) HOUSING SCREWS  
 (2) HOUSING NUTS



976-XXX-XXXRXX1

SERIES \_\_\_\_\_  
 POSITIONS \_\_\_\_\_  
 009 \_\_\_\_\_  
 015 \_\_\_\_\_  
 025 \_\_\_\_\_  
 037 \_\_\_\_\_

MATERIAL \_\_\_\_\_  
 010 = PLASTIC  
 020 = METALIZED PLASTIC

COLOR: \_\_\_\_\_  
 03 = GREY  
 12 = NICKEL OVER COPPER

PUT-UPS \_\_\_\_\_  
 1 = KIT

POS.	A	B	C	D
9	1.319 33.50	.984 24.99	.758 19.25	.946 24.03
15	1.622 41.20	1.312 33.32	1.102 27.99	1.289 32.74
25	2.157 54.79	1.852 47.04	1.642 41.71	1.874 47.60
37	2.815 71.50	2.500 63.50	2.283 57.99	2.470 62.74

**METALIZED PLASTIC:**  
 MATERIALS: ABS HIGH TEMPERATURE  
 PLASTIC 94HB  
 PLATING: CHROME - ELECTROPLATED  
**PLASTIC:**  
 MATERIALS: ABS HIGH TEMPERATURE  
 PLASTIC 94HB - GREY  
 RoHS COMPLIANT

	THESE DRAWINGS AND SPECIFICATIONS ARE THE PROPERTY OF NorComp AND SHALL NOT BE REPRODUCED, COPIED OR USED AS THE BASIS FOR THE MANUFACTURE OR SALE OF APPARATUS WITHOUT WRITTEN PERMISSION.		DRAWN: <b>PAM JENKINS</b>	DATE: <b>7-28-05</b>
	<h1>NorComp</h1>		CHECKED:	DATE:
SCALE			SHEET OF	REV <b>1</b>
		DWG NO. <b>976-XXX-0X0RXX1</b>		