

4

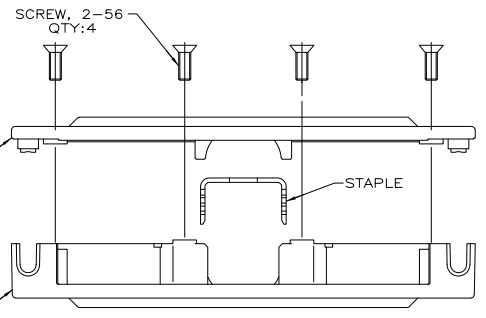
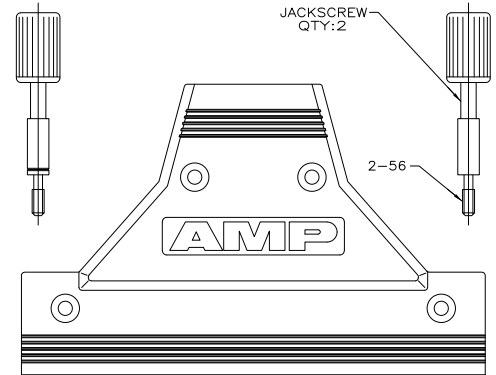
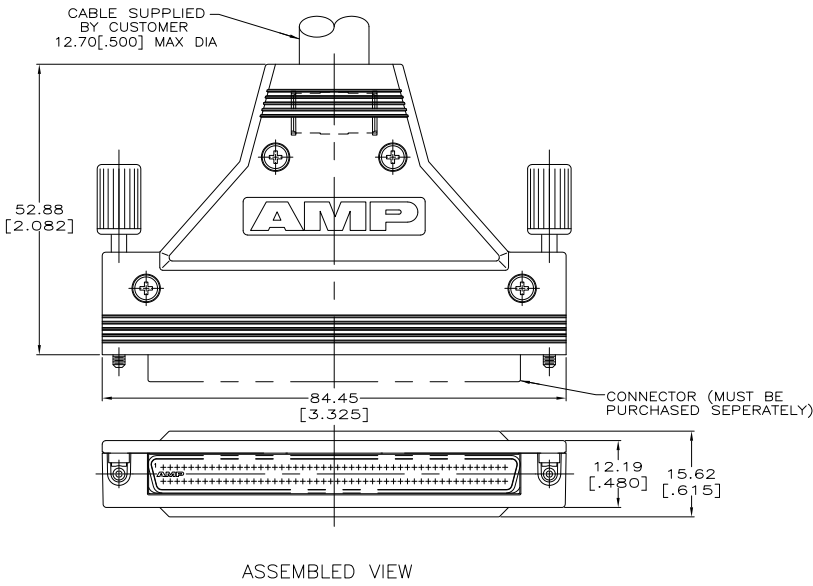
3

2

1

THIS DRAWING IS UNPUBLISHED. RELEASED FOR PUBLICATION
 © COPYRIGHT - By - ALL RIGHTS RESERVED.

LOC	DIST	REVISIONS					
GP	00	P	LTR	DESCRIPTION	DATE	BY	APPD
		P		REVISED PER ECO-11-004835	11MAR11	RK	HMR



- ⚠ BACKSHELLS: ZINC.
STAPLE: STEEL.
JACKSCREWS: FLAME RETARDANT 94V-0 RATED POLYOLEFIN OR PVC, COLOR BLACK AND STEEL.
SCREWS: STAINLESS STEEL.
- ⚠ BACKSHELLS: NICKEL OVER COPPER.
STAPLE: BRIGHT TIN OVER NICKEL.
JACKSCREWS: BLACK ZINC.

5749854-1
PART NO

THIS DRAWING IS A CONTROLLED DOCUMENT.		DR: C. PETERS 24AU005	TE Connectivity
		CHK: S. SHUEY 24AU005	
		APPD: M. WALMSLEY 24AU005	TE Connectivity
DIMENSIONS: INCHES		PRODUCT SPEC: M. WALMSLEY	BACKSHELL KIT, 100 POS, AMPLIMITE .050 SERIES
OTHER DIMENSIONS: MILLIMETERS		APPLICATION SPEC: -	RESTRICTED TO: -
MATERIAL: ⚠		WEIGHT: -	SIZE: A2
FINISH: ⚠		HEIGHT: -	CAGE CODE: 00779
		CUSTOMER DRAWING	SCALE: 2:1
			SHEET: 1 of 1
			REV: P