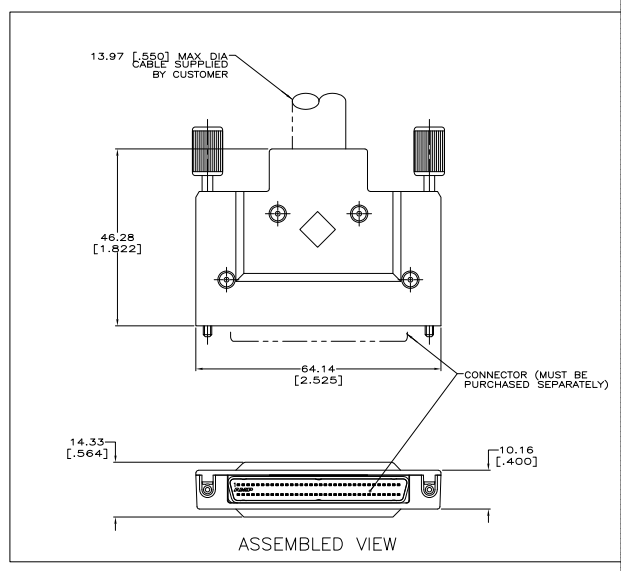
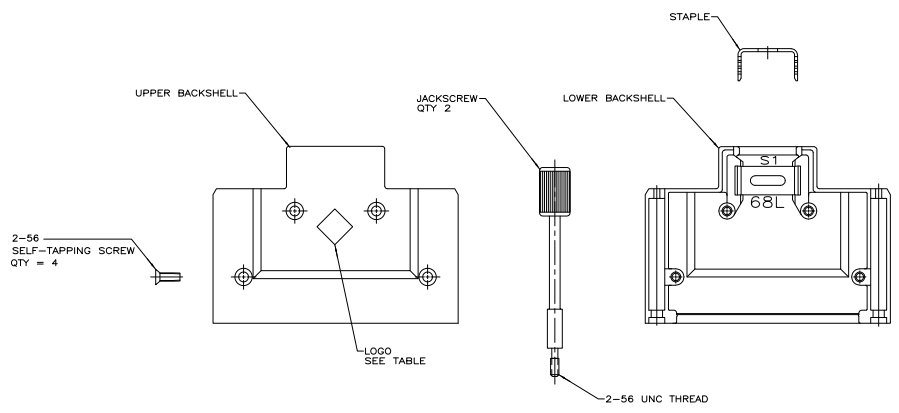


THIS DRAWING IS UNPUBLISHED. REPRODUCED FOR PURCHASER. ALL RIGHTS RESERVED.
 © 2008 Tyco Electronics Corporation. ALL RIGHTS RESERVED.

REVISIONS			
REV	DESCRIPTION	DATE	BY
GP 00			
A	RELEASED	200806	BM/SS

- ⚠ BACKSHELL: ZINC PER ASTM B86.
- ⚠ STAPLE: CARBON STEEL PER ASTM A109.
- ⚠ SCREW: STAINLESS STEEL.
- ⚠ 1.27µm [.000050] MIN TIN OVER 1.27µm [.000050] MIN NICKEL.
- ⚠ STAINLESS STEEL & PVC, BLACK.



NO	⚠	-	5786152-3
LOGO	JACKSCREW	FINISH	PART NUMBER

THIS DRAWING IS A CONTROLLED DOCUMENT.

DESIGNED BY	DATE	BY	DATE
DRAWN BY	DATE	BY	DATE
CHECKED BY	DATE	BY	DATE
APPROVED BY	DATE	BY	DATE

TITLE: CUSTOMER DRAWING
 REV: A1
 SCALE: 2:1
 SHEET: 1 of 1
 DRAWN BY: [Signature]
 CHECKED BY: [Signature]
 APPROVED BY: [Signature]
 DATE: [Date]
 BY: [Signature]
 DATE: [Date]

Tyco Electronics Corporation
 Harrisburg, Pa 17106-3609
 BACKSHELL KIT, UNASSEMBLED,
 68 P00M, 000 SERIES AMP/LMITE
 TM
 5786152