

4

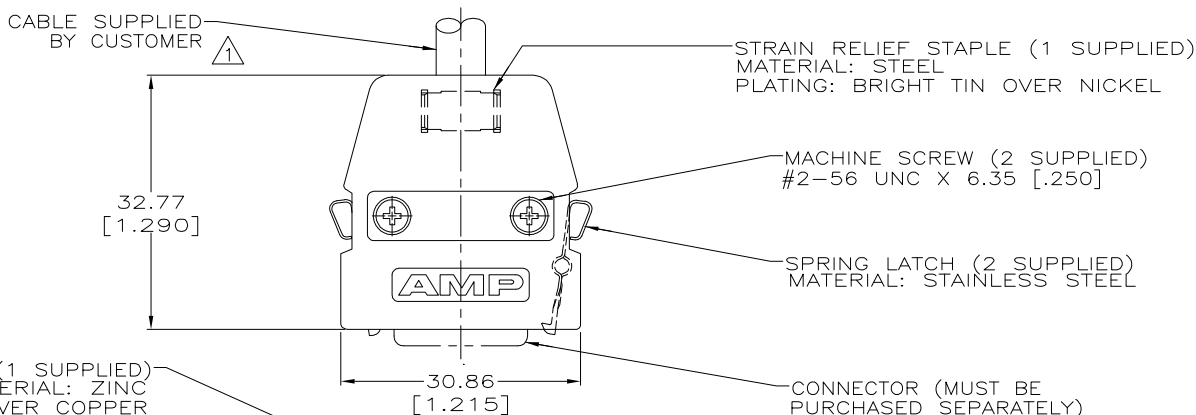
3

2

1

THIS DRAWING IS UNPUBLISHED. RELEASED FOR PUBLICATION
 © COPYRIGHT - BY TYCO ELECTRONICS CORPORATION. ALL RIGHTS RESERVED.

LOC	DIST	REVISIONS				
P	LTR	DESCRIPTION	DATE	DWN	APVD	
GP	00	0	RELEASED PER EC OS13-0001-05	24AUG05	GP JG	



UPPER BACKSHELL (1 SUPPLIED)
MATERIAL: ZINC
PLATING: NICKEL OVER COPPER

LOWER BACKSHELL (1 SUPPLIED)
MATERIAL: ZINC
PLATING: NICKEL OVER COPPER

10.16 [.400]

**COPYRIGHT 2005
 TYCO ELECTRONICS CORP
 ALL RIGHTS RESERVED**

5749190-1
 PART NO.

\triangle 6.86 [.270] MAX CABLE DIA
 2. PARTS PACKAGED AS A UNIT KIT.

THIS DRAWING IS A CONTROLLED DOCUMENT.		DWN	24AUG05		Tyco Electronics Corporation Harrisburg, PA 17105-3608			
DIMENSIONS: INCHES		CHK	24AUG05		NAME	INDIVIDUAL KIT, UNASSEMBLED, 20 POSITION, STRAIGHT EXIT, UNKEYED, AMPLIMITE .050 Series		
TOLERANCES UNLESS OTHERWISE SPECIFIED: 0 PLC ± - 1 PLC ± - 2 PLC ± - 3 PLC ± 0.38 [.015] 4 PLC ± - ANGLES ± -		APVD	24AUG05		SIZE	CAGE CODE	DRAWING NO	
MATERIAL		FINISH		WEIGHT	A3	00779	C-5749190	RESTRICTED TO
CUSTOMER DRAWING				SCALE	2:1	SHEET	1 OF 1	REV
								0