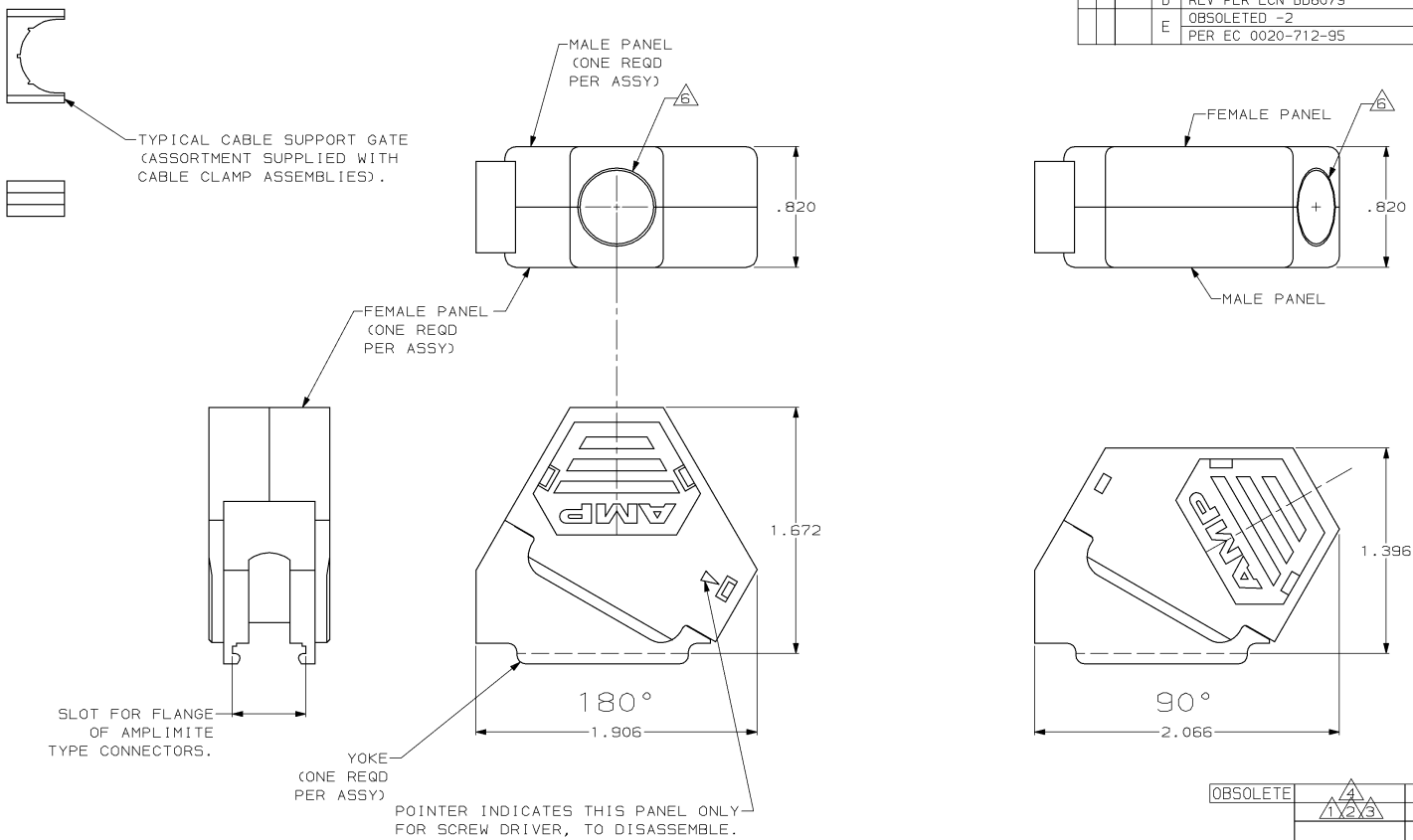


DRAWING MADE IN THIRD ANGLE PROJECTION  
 THIS DRAWING IS UNPUBLISHED. RELEASED FOR PUBLICATION  
 © COPYRIGHT 19 BY AMP INCORPORATED. ALL INTERNATIONAL RIGHTS RESERVED.

LOC	DIST	P	F	ZONE	LTR	DESCRIPTION	DATE	APPD
BD	48				C	REDRAWN ON CAD	5-10-90	-
					D	REV PER ECN BD6079	06/16/92	RM
					E	OBSOLETE -2 PER EC 0020-712-95	03 FEB 96	CS



OBSOLETE	△	745306-2
	△	745306-1
PACKAGING		PART NUMBER

- ① ALL PARTS PACKAGED UNASSEMBLED.
- ② SAME PARTS CAN BE ASSEMBLED IN EITHER 180° OR 90° CONFIGURATION, AS SHOWN.
- ③ KIT CONSISTING OF FOUR INDIVIDUAL PARTS, AS SHOWN.
- ④ EACH PART IS INDIVIDUALLY BULK PACKED FOR MULTIPLE KIT ORDERS.
- ⑤ PARTS ASSEMBLE WITHOUT HARDWARE.
- ⑥ CLAMP ACCOMMODATES DISCRETE WIRES OR JACKETED CABLE UP TO .550 INCH DIAMETER.

DO NOT SCALE PRINT. UNLESS SPECIFIED DIMENSIONS IN INCHES TOLERANCES ON :		DR 5-10-90 J GALLUCCI B6		AMP INCORPORATED Harrisburg, Pa. 17105	
2 PLC DEC ± -		CHK 6-15-90 W. LENKER			
3 PLC DEC ± .015		APPD 7-9-90 J. WESTMAN		NAME	
ANGLES ± -		MATERIAL BLACK THERMOPLASTIC		KIT, CABLE CLAMP ASSY, SIZE 3, AMPLIMITE™	
FINISH -		APPLICATION SPEC -		SIZE C	FSCM NO 00779
WEIGHT -		SCALE 2:1		DRAWING NO 745306	SHEET 1 OF 1

CUSTOMER DRAWING