

4

3

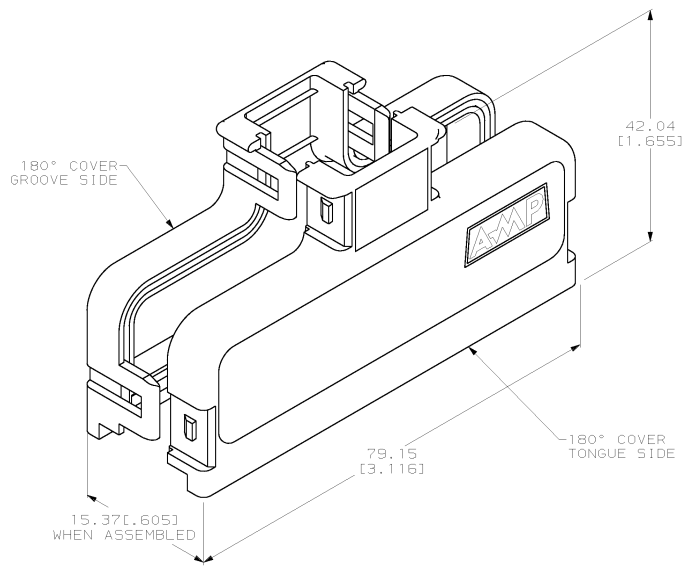
2

1

THIS DRAWING IS UNPUBLISHED. RELEASED FOR LABELIZATION
 (C) COPYRIGHT 19 BY AMP INCORPORATED. ALL RIGHTS RESERVED.

REV	DATE	DESCRIPTION	BY	APP'D
AA	20			
C		OBSOLETE; -61 PER EC 0515-0321-02	21JAN03	DLDRPM

- ⚠ DIMENSIONS ARE MAXIMUM UNLESS OTHERWISE SPECIFIED.
- 2. KIT SHIPPED NOT ASSEMBLED.
- ⚠ MATERIAL: POLYPHENYLENE OXIDE, BLACK.
- 4. CABLE RANGE: ϕ 14.22-15.37 [1.560-.605].
- 5. 100 KITS BULK PACKAGED.



569025-1
PART NUMBER

THIS DRAWING IS A CONTROLLED DOCUMENT.		DWN L. SHIHL 05-DEC-94 CDR L. SHIHL 07-DEC-94 PDR J. TRANEL 14-DEC-94	AMP AMP Incorporated Harrisburg, PA 17105-3608
DIMENSIONS mm [INCHES]	DIMENSIONS mm [INCHES]	NAME COVER KIT, 180 DEGREE, 64 POSITION, CHAMP	RESTRICTED TO
0 PLC ±* 1 PLC ±* 2 PLC ±* 3 PLC ±* 4 PLC ±* 5 PLC ±* 6 PLC ±* 7 PLC ±* 8 PLC ±* 9 PLC ±* 10 PLC ±* 11 PLC ±* 12 PLC ±* 13 PLC ±* 14 PLC ±* 15 PLC ±* 16 PLC ±* 17 PLC ±* 18 PLC ±* 19 PLC ±* 20 PLC ±* 21 PLC ±* 22 PLC ±* 23 PLC ±* 24 PLC ±* 25 PLC ±* 26 PLC ±* 27 PLC ±* 28 PLC ±* 29 PLC ±* 30 PLC ±* 31 PLC ±* 32 PLC ±* 33 PLC ±* 34 PLC ±* 35 PLC ±* 36 PLC ±* 37 PLC ±* 38 PLC ±* 39 PLC ±* 40 PLC ±* 41 PLC ±* 42 PLC ±* 43 PLC ±* 44 PLC ±* 45 PLC ±* 46 PLC ±* 47 PLC ±* 48 PLC ±* 49 PLC ±* 50 PLC ±* 51 PLC ±* 52 PLC ±* 53 PLC ±* 54 PLC ±* 55 PLC ±* 56 PLC ±* 57 PLC ±* 58 PLC ±* 59 PLC ±* 60 PLC ±* 61 PLC ±* 62 PLC ±* 63 PLC ±* 64 PLC ±* 65 PLC ±* 66 PLC ±* 67 PLC ±* 68 PLC ±* 69 PLC ±* 70 PLC ±* 71 PLC ±* 72 PLC ±* 73 PLC ±* 74 PLC ±* 75 PLC ±* 76 PLC ±* 77 PLC ±* 78 PLC ±* 79 PLC ±* 80 PLC ±* 81 PLC ±* 82 PLC ±* 83 PLC ±* 84 PLC ±* 85 PLC ±* 86 PLC ±* 87 PLC ±* 88 PLC ±* 89 PLC ±* 90 PLC ±* 91 PLC ±* 92 PLC ±* 93 PLC ±* 94 PLC ±* 95 PLC ±* 96 PLC ±* 97 PLC ±* 98 PLC ±* 99 PLC ±* 100 PLC ±*	APPLICATION SPEC: - HEIGHT: -	TITLE CASE CODE DRAWING NO A200779 C-569025	RESTRICTED TO -
MATERIAL POLYPHENYLENE OXIDE, BLACK	FINISH -	CUSTOMER DRAWINGS	SCALE 2:1 SHEET 1 OF 1 REV C

569025