

4

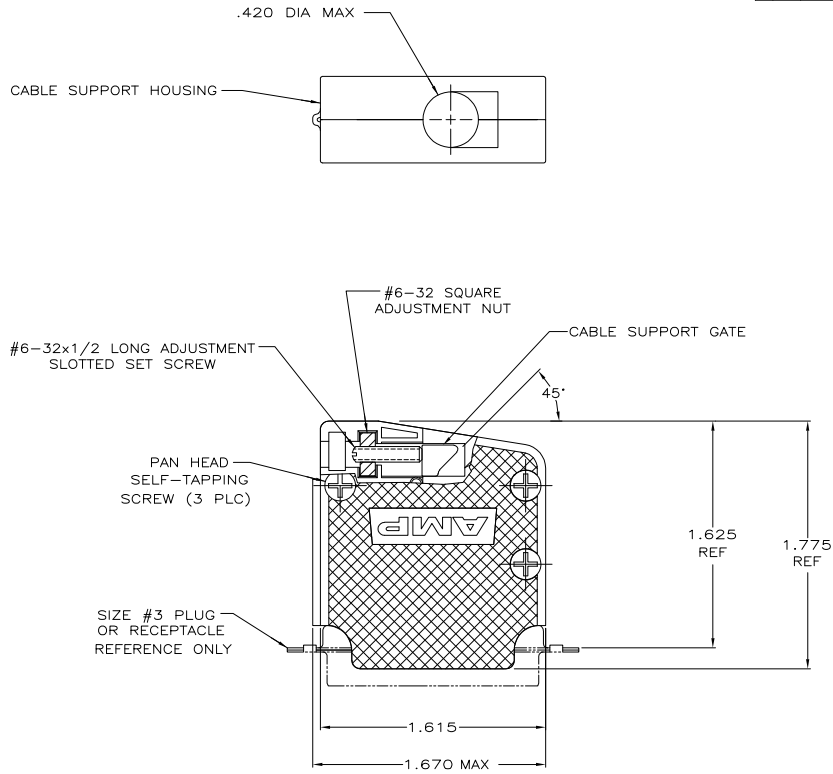
3

2

1

THIS DRAWING IS UNPUBLISHED. RELEASED FOR PUBLICATION
 © COPYRIGHT BY TYCO ELECTRONICS CORPORATION. ALL RIGHTS RESERVED.

| LOC | DIST | REVISIONS | | | | |
|-----|------|-----------|-----|------------------------------|---------|-------|
| GP | 00 | P | REV | DATE | BY | APP'D |
| | | 0 | | RELEASED PER EC 0513-0221-05 | 22AUG05 | RR JG |



- ⚠ PARTS PACKAGED UNASSEMBLED AS A UNIT KIT.
- ⚠ PARTS INDIVIDUALLY BULK PACKAGED & SHIPPED AS A UNIT PACKAGE KIT.
- ⚠ MOLDED PARTS: BLACK POLYPROPYLENE. HARDWARE: COLD ROLLED STEEL.
- ⚠ HARDWARE: ZINC PLATED CLEAR CHROMATE COATING.

**COPYRIGHT 2005
 TYCO ELECTRONICS CORP
 ALL RIGHTS RESERVED**

| | |
|-----------|-----------|
| ⚠ | 5205718-4 |
| ⚠ | 5205718-1 |
| PACKAGING | PART NO |

| | | | | |
|--|--------------|---------------------------|--|------------------|
| THIS DRAWING IS A CONTROLLED DOCUMENT. | | DR: R. RICHARDSON 22AUG05 | Tyco Electronics Corporation | |
| DIMENSIONS: INCHES | | CHK: C. ROHDE 22AUG05 | Harrisburg, Pa 17105-3608 | |
| TOLERANCES UNLESS OTHERWISE SPECIFIED: | | APP: M. WALMSLEY 22AUG05 | SELF TAPPED 45°/180° CAB SUPPORT CLAMSHELL, SIZE ASSEMBLY, AMPLIMITE HD-20 | |
| 0 PLC ± .005 | 1 PLC ± .005 | 2 PLC ± .005 | 3 PLC ± .005 | 4 PLC ± .005 |
| ANGLES ± 30° | | FINISH | SIZE: A2 | CAGE CODE: 00779 |
| MATERIAL: 3 | FINISH: 4 | WEIGHT: - | C=5205718 | RESTRICTED TO: - |
| CUSTOMER DRAWING | | | SCALE: 2:1 | SHEET: 1 OF 1 |

AMP 1471-9 REV 31MM0200

5205718

A