

4

3

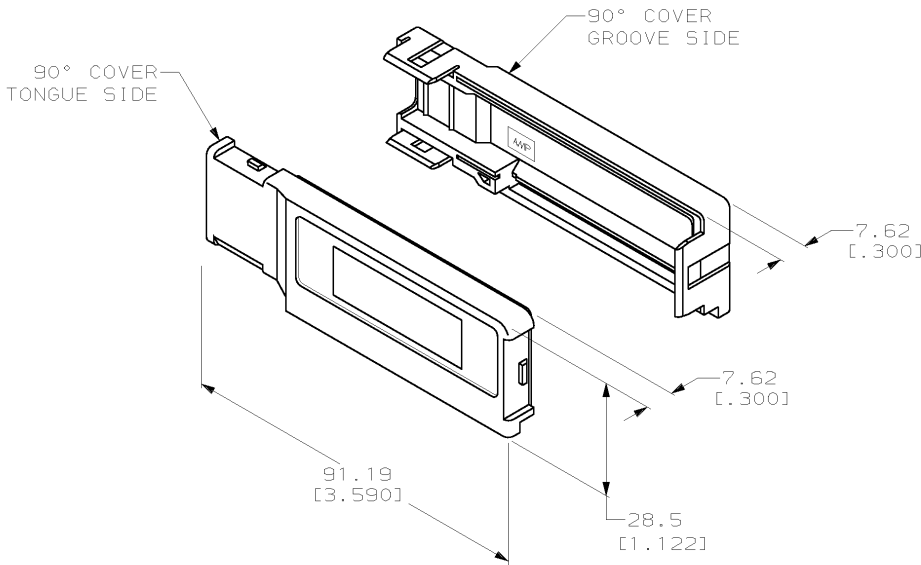
2

1

THIS DRAWING IS UNPUBLISHED. RELEASED FOR PUBLICATION .19  
 © COPYRIGHT 19 BY AMP INCORPORATED. ALL RIGHTS RESERVED.

LOC	DIST	REVISIONS			
P	LTR	DESCRIPTION	DATE	DWN	APVD
AA	20	E OBSOLETE: -2; EC 0515-0014-03	22APR96	DLD	RPM

1. DIMENSIONS SHOWN ARE FOR REFERENCE ONLY UNLESS OTHERWISE SPECIFIED.
2. COVERS SHIPPED NOT ASSEMBLED.
3. 100 KITS BULK PACKED.



OBSOLETE	ALMOND	12.07 - 13.72	552731-2
	BLACK	[.475 - .540]	552731-1
	COLOR	CABLE RANGE DIAMETER	PART NO.

THIS DRAWING IS A CONTROLLED DOCUMENT FOR AMP INCORPORATED. IT IS SUBJECT TO CHANGE AND THE CONTROLLING ENGINEERING ORGANIZATION SHOULD BE CONTACTED FOR THE LATEST REVISION.		DWN DL DRUMMOND 22 APR 96	AMP AMP Incorporated Harrisburg, PA 17105-3608																	
DIMENSIONS: mm [INCHES]		CHK D. AHERON 08 MAY 96																		
TOLERANCES UNLESS OTHERWISE SPECIFIED:		APVD M. HUGHES 08 MAY 96	COVER KIT, 90 DEGREE 50 POSITION, CHAMP®																	
<table border="1"> <tr><td>0</td><td>PLC</td><td>±.0</td></tr> <tr><td>1</td><td>PLC</td><td>±.0</td></tr> <tr><td>2</td><td>PLC</td><td>±.0</td></tr> <tr><td>3</td><td>PLC</td><td>±.0</td></tr> <tr><td>4</td><td>PLC</td><td>±.0</td></tr> <tr><td colspan="2">ANGLES</td><td>±.0</td></tr> </table>		0		PLC	±.0	1	PLC	±.0	2	PLC	±.0	3	PLC	±.0	4	PLC	±.0	ANGLES		±.0
0	PLC	±.0																		
1	PLC	±.0																		
2	PLC	±.0																		
3	PLC	±.0																		
4	PLC	±.0																		
ANGLES		±.0																		
MATERIAL POLYPHENYLENE OXIDE	FINISH -	APPLICATION SPEC	SIZE A3																	
		WEIGHT -	CAGE CODE 00779																	
		CUSTOMER DRAWING	DRAWING NO. C-552731																	
			SCALE 1:1 SHEET 1 OF 1 REV E																	

AMP 1470-19 REV 09MAY94

22-SEP-03 11:48:36 us036051 /home/us036051/edmod