

4

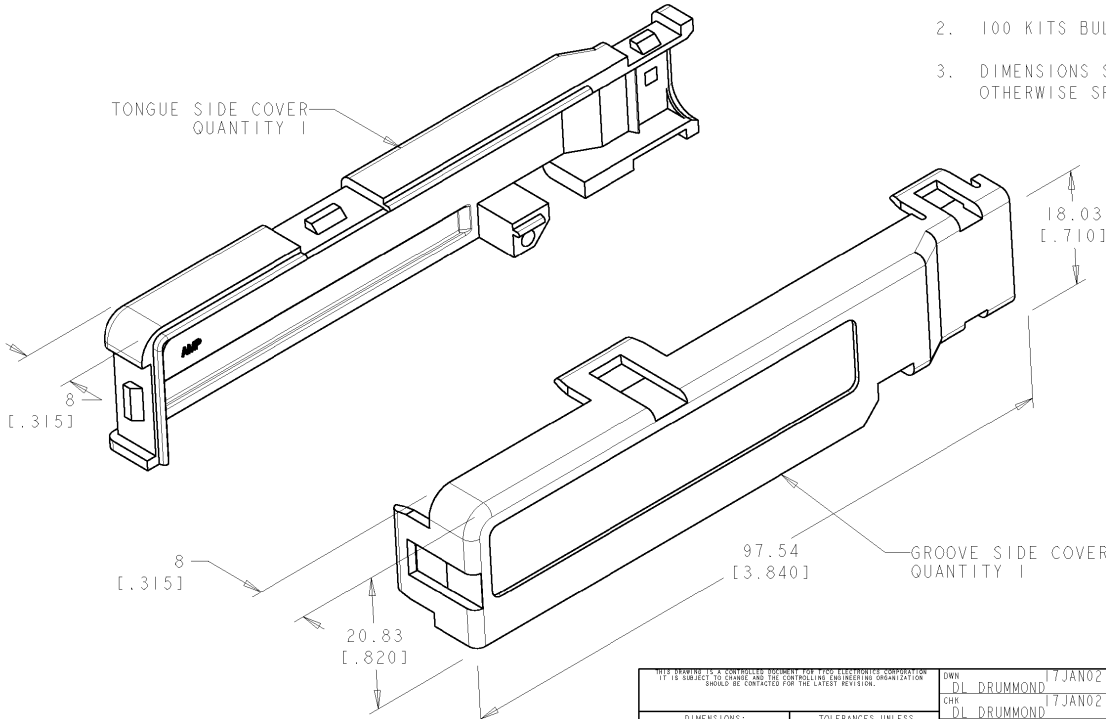
3

2

1

THIS DRAWING IS UNPUBLISHED. RELEASED FOR PUBLICATION 20
 © COPYRIGHT 20 BY TYCO ELECTRONICS CORPORATION. ALL RIGHTS RESERVED.

LOC	DIST	REVISIONS				
P	LTR	DESCRIPTION	DATE	DWN	APVD	
0		RELEASED PER EC 0S15-0006-02	17JAN2002	DLD	RPM	
A		REVISED PER EC 0S15-0190-02	02JUL2002	DLD	RPM	



1. COVERS SHIPPED NOT ASSEMBLED.
2. 100 KITS BULK PACKED.
3. DIMENSIONS SHOWN ARE FOR REFERENCE ONLY UNLESS OTHERWISE SPECIFIED.

AS SHOWN	1339519-1
DESCRIPTION	PART NUMBER

<small>THIS DRAWING IS A CONTROLLED DOCUMENT FOR TYCO ELECTRONICS CORPORATION IT IS SUBJECT TO CHANGE AND THE CONTROLLING ENGINEERING ORGANIZATION SHOULD BE CONTACTED FOR THE LATEST REVISION.</small>		DWN DL DRUMMOND 17JAN02 CHR DL DRUMMOND 17JAN02 APVD RP McCRAW 17JAN02	tyco Electronics Tyco Electronics Harrisburg, PA 17105-3608
DIMENSIONS: mm [INCHES]	TOLERANCES UNLESS OTHERWISE SPECIFIED:	PRODUCT SPEC APPLICATION SPEC WEIGHT	NAME COVER KIT, 90 DEGREE, 50 POSITION, CHAMP
0 PLC ± 1 PLC ± 2 PLC ± 3 PLC ± 4 PLC ± ANGLES ± FINISH -	0 PLC ± 1 PLC ± 2 PLC ± 3 PLC ± 4 PLC ± ANGLES ± FINISH -	SIZE A3 CAGE CODE 00779 DRAWING NO. C-1339519	RESTRICTED TO -
MATERIAL POLYPHENYLENE OXIDE		CUSTOMER DRAWING	SCALE 2:1 SHEET 1 OF 1 REV A

AMP 1470-19 REV 31MAR2000
 Proj/ENGINEER DRAWING