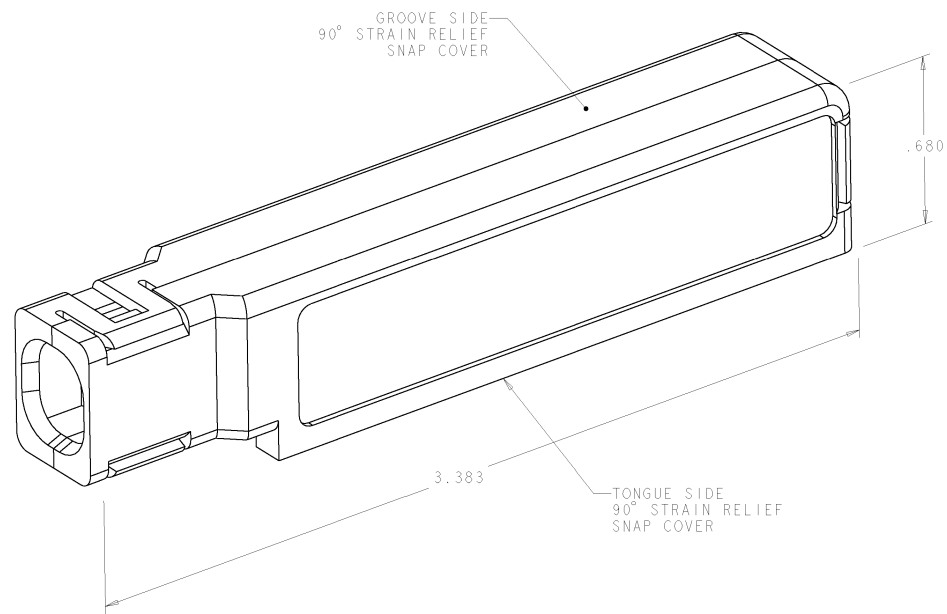


THIS DRAWING IS UNPUBLISHED. RELEASED FOR PUBLICATION  
 (C) COPYRIGHT 20 BY TYCO ELECTRONICS CORPORATION. ALL RIGHTS RESERVED.

REV	DATE	BY	CHKD	DESCRIPTION
AA	20	JL	DL	REDRAWN; EC 001C-0048-01



1. ALL DIMENSIONS SHOWN ARE FOR REFERENCE ONLY UNLESS OTHERWISE SPECIFIED.
2. COVERS SHIPPED NOT ASSEMBLED.
3. 100 KITS BULK PACKED.

.340 - .400		BLACK	552012-1	552013-1	552014-1
CABLE RANGE DIAMETER		COLOR	GROOVE SIDE PART NO.	TONGUE SIDE PART NO.	KIT PART NUMBER
DAN DRUMMOND 14WAR01		AMP	Tyco Electronics Harrisburg, PA 17105-3608		
DIMENSIONS: INCHES		COVER KIT, 90 DEGREE STRAIN RELIEF, 50 POSITION, CHAMP			
MATERIAL		FINISH	WEIGHT	SIZE	CAGE CODE DRAWING NO
CUSTOMER DRAWING				A200778	552014

AMP 1471-8 REV 31MAR2000  
 Proj/ENGINEER DRAWING

552014