

4

3

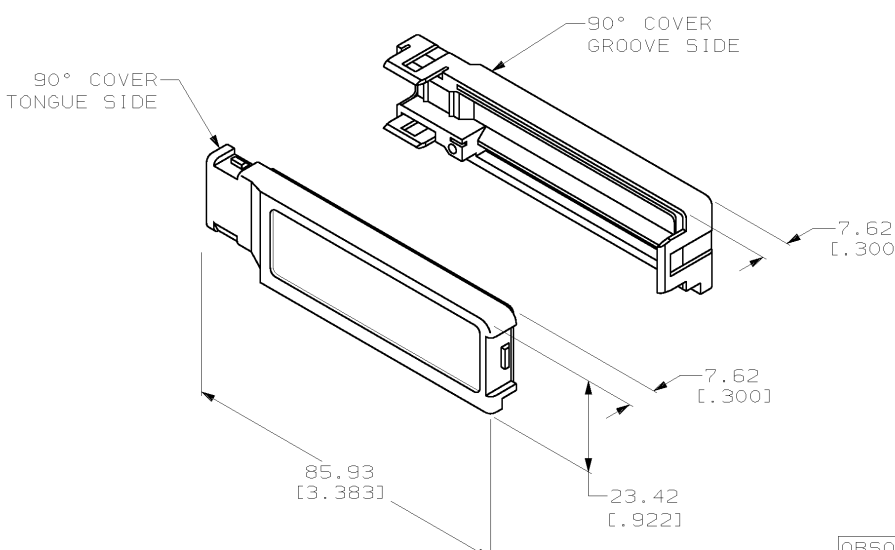
2

1

THIS DRAWING IS UNPUBLISHED. RELEASED FOR PUBLICATION  
 © COPYRIGHT 19 BY AMP INCORPORATED. ALL RIGHTS RESERVED.

LOC	DIST	REVISIONS				
P	LTR	DESCRIPTION	DATE	DWN	APVD	
AA	20	K	OBSOLETE: -5, -15; EC 0515-0318-02	21JAN03	DD RM	

1. DIMENSIONS SHOWN ARE FOR REFERENCE ONLY UNLESS OTHERWISE SPECIFIED.
2. COVERS SHIPPED NOT ASSEMBLED.
3. 100 KITS BULK PACKED.



OBSOLETE	ALMOND	8.00 - 10.54	1-552011-5
	BLACK	[.315 - .415]	1-552011-1
OBSOLETE	ALMOND	10.54 - 11.81	552011-5
	BLACK	[.415 - .465]	552011-1
	COLOR	CABLE RANGE DIAMETER	PART NUMBER

<small>THIS DRAWING IS A CONTROLLED DOCUMENT FOR AMP INCORPORATED. IT IS SUBJECT TO CHANGE AND THE CONTROLLING ENGINEERING ORGANIZATION SHOULD BE CONTACTED FOR THE LATEST REVISION.</small>		DWN DL DRUMMOND 22 APR 96 CHK D. AHERON 09 MAY 96 APVD M. HUGHES 09 MAY 96	<b>AMP</b> AMP Incorporated Harrisburg, PA 17105-3608
DIMENSIONS: mm [INCHES]	TOLERANCES UNLESS OTHERWISE SPECIFIED: 0 PLC ±. 1 PLC ±. 2 PLC ±. 3 PLC ±. 4 PLC ±. ANGLES ±.	PRODUCT SPEC APPLICATION SPEC WEIGHT	COVER KIT, 90 DEGREE, 50 POSITION, CHAMP®
MATERIAL POLYPHENYLENE OXIDE FINISH -		SIZE A3 CAGE CODE 00779 DRAWING NO. C-552011	CUSTOMER DRAWING SCALE 1:1 SHEET 1 OF 1 REV K