

D-SUB PLASTIC HOOD IP67

Straight cable entry – 9-50 pos.

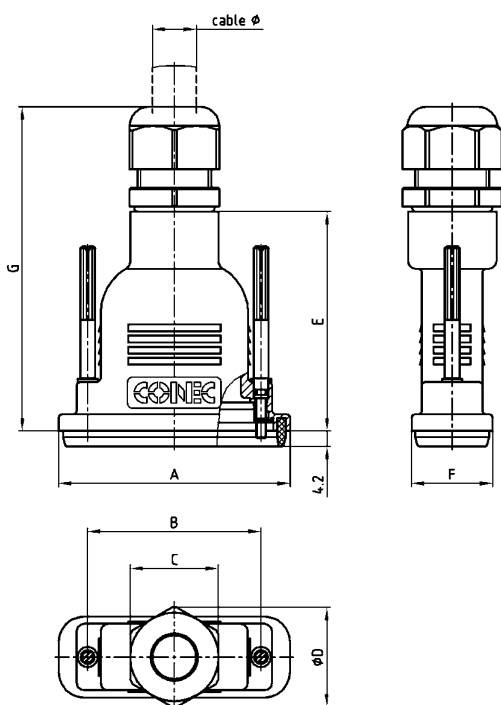


RoHS compliant – CSA listed, File No.: LR 115000-1 – UL listed, File No.: E202784

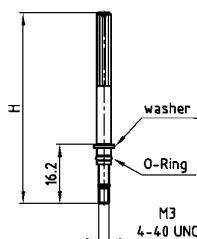
DESCRIPTION

- Water resistant hood for Standard D-SUB and Combination D-SUB Connectors
- With large internal space for high power and coaxial contacts
- Material:
 - Plastic hood black: PBT + Glas filled, UL 94 V-0
 - Plastic hood metallized: ABS, UL 94 V-0
- Fastening:
 - M3 or 4-40 UNC short screws stainless steel
 - M3 or 4-40 UNC jack screws stainless steel
- Bulk or single packaged units

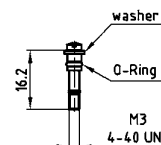
PRODUCT DRAWING



Jack screw



Short screw



Shellsize	A	B	C	Ø D	E	F	G	H	Cable Ø
1	40.76	25.00	SW 22	24.60	51.00	22.00	77.00	44.00	5 - 10
2	49.06	33.30	SW 24	26.50	51.00	22.00	79.00	52.00	6 - 12
3	62.80	47.04	SW 24	26.50	59.50	22.00	87.50	52.00	6 - 12
4	78.86	63.50	SW 33	36.20	67.00	22.00	99.00	52.00	9 - 16
5	76.46	61.10	SW 42	47.00	67.00	24.80	107.00	52.00	13 - 20

ORDER DATA

D-SUB PLASTIC HOOD – BLACK		
No. of pos.	Design	Part Number
09	Black housing / M3 Jack screw	165 X 15119 X
15	Black housing / M3 Jack screw	165 X 15129 X
25	Black housing / M3 Jack screw	165 X 15139 X
37	Black housing / M3 Jack screw	165 X 15149 X
50	Black housing / M3 Jack screw	165 X 15159 X
09	Black housing / 4-40 UNC Jack screw	165 X 14819 X
15	Black housing / 4-40 UNC Jack screw	165 X 14829 X
25	Black housing / 4-40 UNC Jack screw	165 X 14839 X
37	Black housing / 4-40 UNC Jack screw	165 X 14849 X
50	Black housing / 4-40 UNC Jack screw	165 X 14859 X
09	Black housing / M3 Short screw	165 X 15169 X
15	Black housing / M3 Short screw	165 X 15179 X
25	Black housing / M3 Short screw	165 X 15189 X
37	Black housing / M3 Short screw	165 X 15199 X
50	Black housing / M3 Short screw	165 X 15209 X
09	Black housing / 4-40 UNC Short screw	165 X 14869 X
15	Black housing / 4-40 UNC Short screw	165 X 14879 X
25	Black housing / 4-40 UNC Short screw	165 X 14889 X
37	Black housing / 4-40 UNC Short screw	165 X 14899 X
50	Black housing / 4-40 UNC Short screw	165 X 14909 X

D-SUB PLASTIC HOOD – METALLIZED		
No. of pos.	Design	Part Number
09	Metallized housing / M3 Jack screw	165 X 15319 X
15	Metallized housing / M3 Jack screw	165 X 15329 X
25	Metallized housing / M3 Jack screw	165 X 15339 X
37	Metallized housing / M3 Jack screw	165 X 15349 X
50	Metallized housing / M3 Jack screw	165 X 15359 X
09	Metallized housing / 4-40 UNC Jack screw	165 X 15019 X
15	Metallized housing / 4-40 UNC Jack screw	165 X 15029 X
25	Metallized housing / 4-40 UNC Jack screw	165 X 15039 X
37	Metallized housing / 4-40 UNC Jack screw	165 X 15049 X
50	Metallized housing / 4-40 UNC Jack screw	165 X 15059 X
09	Metallized housing / M3 Short screw	165 X 15369 X
15	Metallized housing / M3 Short screw	165 X 15379 X
25	Metallized housing / M3 Short screw	165 X 15389 X
37	Metallized housing / M3 Short screw	165 X 15399 X
50	Metallized housing / M3 Short screw	165 X 15409 X
09	Metallized housing / 4-40 UNC Short screw	165 X 15069 X
15	Metallized housing / 4-40 UNC Short screw	165 X 15079 X
25	Metallized housing / 4-40 UNC Short screw	165 X 15089 X
37	Metallized housing / 4-40 UNC Short screw	165 X 15099 X
50	Metallized housing / 4-40 UNC Short screw	165 X 15109 X

For single packaged add the letter „E“ at the end of the part number.