

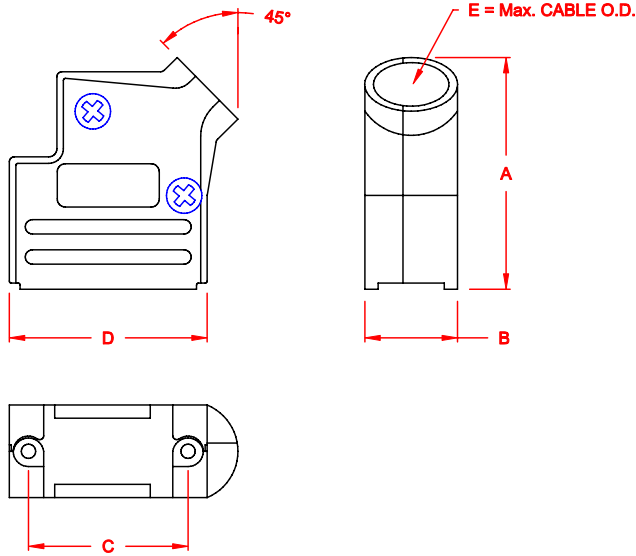
DESCRIPTION: 45° ENTRY - DIE CAST

SPECIFICATION:

MATERIAL: ZINC, NICKEL PLATED,
COPPER UNDER PLATE

BACKSHELL KIT INCLUDES:

- (2) BACKSHELL HALVES
- (2) MOUNTING SCREWS
- (1) PLASTIC INSERTS TREE (4-SETS)



954-YYY-030R121

SERIES _____
 POSITIONS _____
 009 _____
 015 _____
 025 _____
 037 _____
 MATERIAL _____
 030 = DIE CAST (NICKEL)
 RoHS COMPLIANT _____
 R = HIGH TEMP. PROCESS _____
 COLOR _____
 12 = NICKEL OVER COPPER _____
 PUT-UP _____
 1 = KIT _____

DIMENSIONS (IN.)

No. OF PINS	A	B	C	D	E
09	1.429	0.571	0.984	1.220	0.512
15	1.587	0.571	1.312	1.555	0.512
25	1.587	0.571	1.852	2.094	0.512
37	1.587	0.571	2.500	2.744	0.512

DO NOT SCALE FROM DRAWING

RoHS COMPLIANT

	THESE DRAWINGS AND SPECIFICATIONS ARE THE PROPERTY OF NorComp AND SHALL NOT BE REPRODUCED, COPIED OR USED AS THE BASIS FOR THE MANUFACTURE OF SALE OF APPARATUS WITHOUT WRITTEN PERMISSION.		DRAWN: C. SMITH	DATE: 03-30-07
			CHECKED:	DATE:
<h1>NorComp</h1>		SCALE: 1:1	SHEET 1 OF 1	REV 1
		DWG NO. 954-YYY-030R121		