

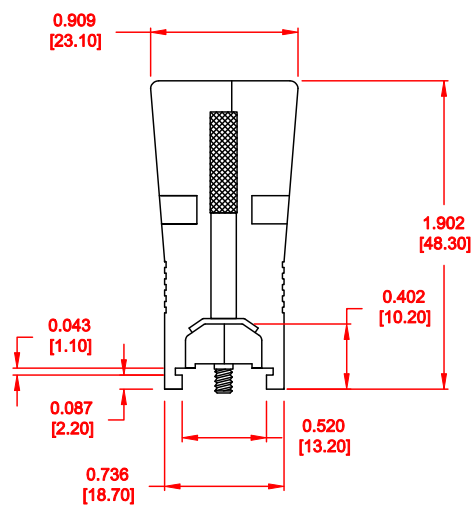
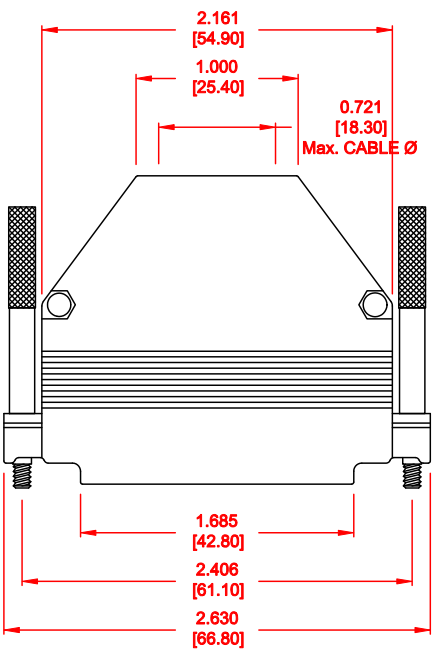
DESCRIPTION: 979 SERIES D-SUB BACKSHELL - DIE CAST

ALL TOLERANCES = ±0.004 [±0.10]  
UNLESS OTHERWISE INDICATED

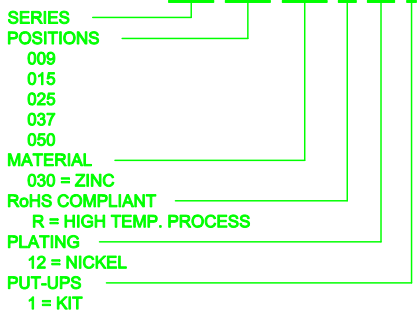
**BACK SHELL KIT INCLUDES:**

- 2 - BACK SHELL HALVES
- 2 - 4-40 THUMBSCREWS
- 2 - SADDLE WASHERS
- 2 - HOUSING SCREWS
- 2 - HOUSING NUTS
- 1 - GROMMET TREE - VARIOUS SIZES  
(NON-CONDUCTIVE GROMMETS)

MATERIAL: DIE-CAST ZINC ALLOY  
PLATING: NICKEL



**979-050-030 R 12 1**

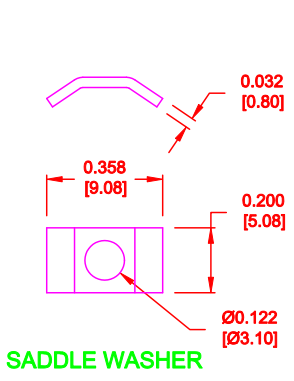


**DO NOT SCALE FROM DRAWING**

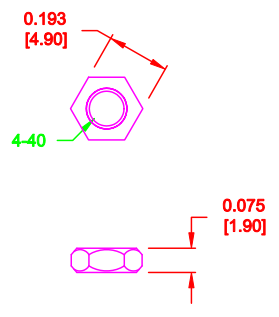
**RoHS COMPLIANT**

	THESE DRAWINGS AND SPECIFICATIONS ARE THE PROPERTY OF NorComp AND SHALL NOT BE REPRODUCED, COPIED OR USED AS THE BASIS FOR THE MANUFACTURE OF SALE OF APPARATUS WITHOUT WRITTEN PERMISSION.		DRAWN: <b>C. SMITH</b>	DATE: <b>04-20-10</b>
			CHECKED:	DATE:
<b>NorComp</b>		SCALE: <b>1 : 1</b>	SHEET <b>1</b> OF <b>2</b>	REV <b>1</b>
		DWG NO. <b>979-050-030R121</b>		

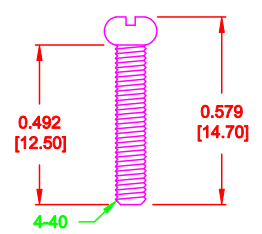
DESCRIPTION: 979 SERIES D-SUB BACKSHELL - HARDWARE



SADDLE WASHER

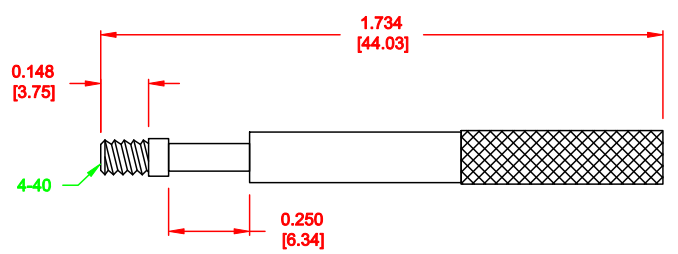
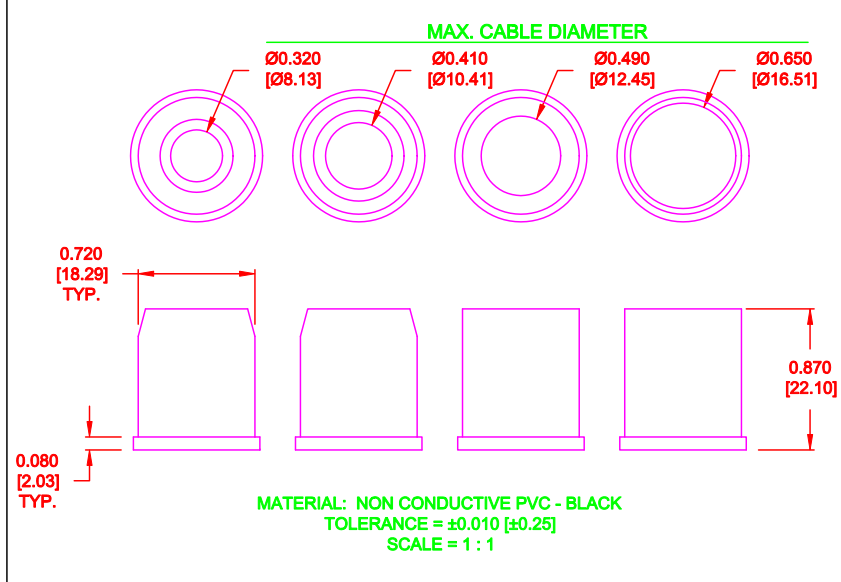


HOUSING NUT



HOUSING SCREW


**ALL HARDWARE:**  
 MATERIAL = BRASS  
 PLATING = NICKEL  
 TOLERANCE = ±0.002 [±0.05]  
 SCALE = 2 : 1



MATING SCREWS

DO NOT SCALE FROM DRAWING

RoHS COMPLIANT

 <b>NorComp</b>	THESE DRAWINGS AND SPECIFICATIONS ARE THE PROPERTY OF NorComp AND SHALL NOT BE REPRODUCED, COPIED OR USED AS THE BASIS FOR THE MANUFACTURE OF SALE OF APPARATUS WITHOUT WRITTEN PERMISSION.		DRAWN: <b>C. SMITH</b>	DATE: <b>04-20-10</b>
			CHECKED:	DATE:
	SCALE: <b>AS SHOWN</b>	SHEET <b>2</b> OF <b>2</b>	REV <b>1</b>	
DWG NO.			<b>979-050-030R121</b>	