

DESCRIPTION: INTERNAL DIMENSIONS - DIE CAST

DIMENSIONS (IN.)

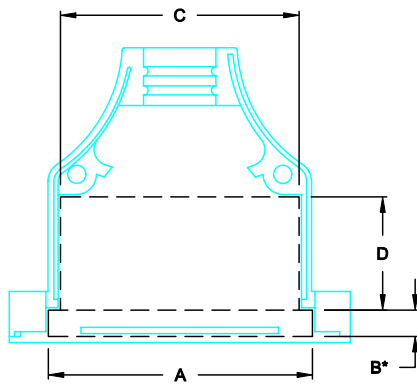
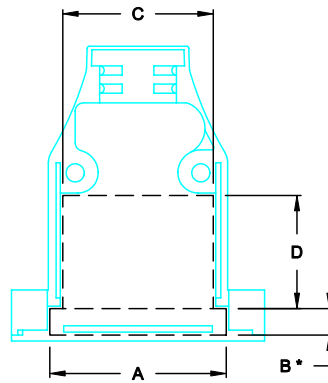
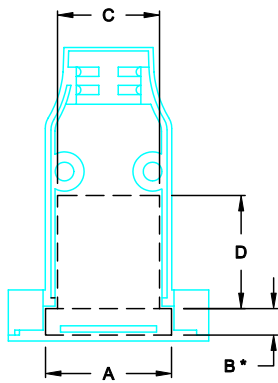
	9	15	25
A	0.777	1.088	1.626
B*	0.163	0.163	0.203
C	0.629	0.928	1.471
D	0.698	0.698	0.881
PCB	0.452	0.452	0.452

SEE NOTE 1. →

SEE NOTE 2. →


NOTE:

- "B" DIMENSION MEASURED FROM BACK SIDE OF CONNECTOR FLANGE
- MIN. SAFE SPACING BETWEEN BACK SHELLS FOR PCB AND MOUNTED COMPONENTS



DIE CAST

RoHS COMPLIANT

	THESE DRAWINGS AND SPECIFICATIONS ARE THE PROPERTY OF NorComp AND SHALL NOT BE REPRODUCED, COPIED OR USED AS THE BASIS FOR THE MANUFACTURE OF SALE OF APPARATUS WITHOUT WRITTEN PERMISSION.		DRAWN: C. SMITH	DATE: 01-02-07
				CHECKED:
<h1>NorComp</h1>		SCALE: N.T.S.	SHEET 1 OF 1	REV 1
		DWG NO. ID - 994 SERIES		