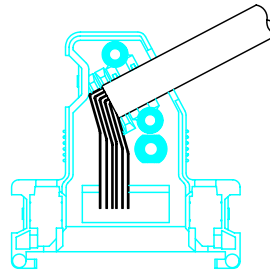
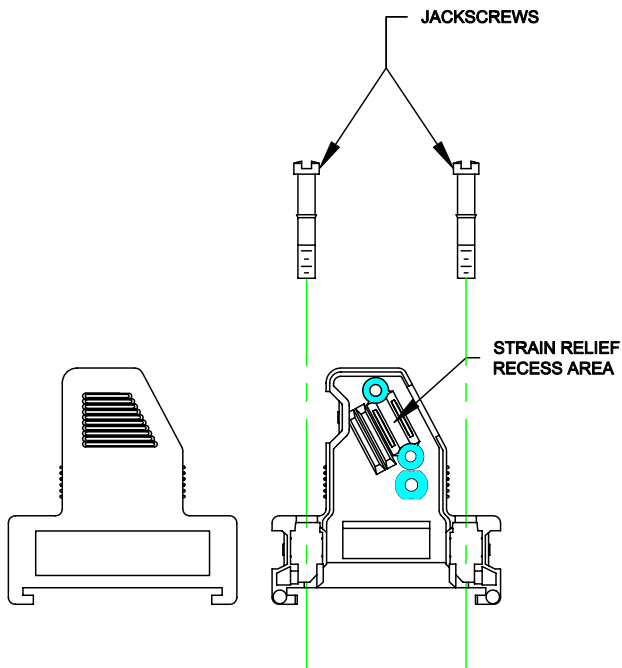


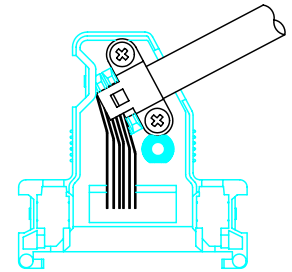
DESCRIPTION: BACKSHELL ASSEMBLY INSTRUCTIONS - PLASTIC

ASSEMBLY INSTRUCTIONS:

1. PREPARE CABLE ENDS, CONNECT TO CONNECTOR
2. SNAP JACKSCREWS INTO PLACE
3. PLACE CABLE IN STRAIN RELIEF RECESS AREA MAKING SURE CABLE JACKET IS BELOW STRAIN RELIEF. ENSURE THE CABLE IS PRESSED INTO THE STRAIN RELIEF RECESS AREA
4. PLACE CABLE CLAMP OVER CABLE. USING SCREWS PROVIDED, TIGHTEN CABLE CLAMP. CABLE CLAMP MAY BE INSTALLED UP SIDE DOWN FOR SMALLER CABLES
5. PLACE THE OTHER HALF OF THE HOOD ON TOP OF THE FIRST HALF, MAKING SURE NO WIRES ARE PINCHED
6. PRESS THE TWO HALVES TOGETHER UNTIL THEY ARE FIRMLY LOCKED IN PLACE



ITEM No. 3



ITEM No. 4




STRAIN RELIEF SCREW

STRAIN RELIEF CLAMP

RoHS COMPLIANT

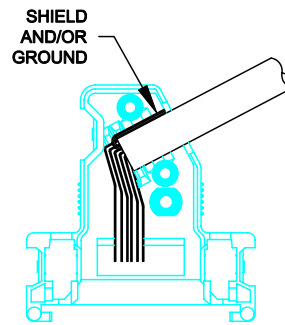
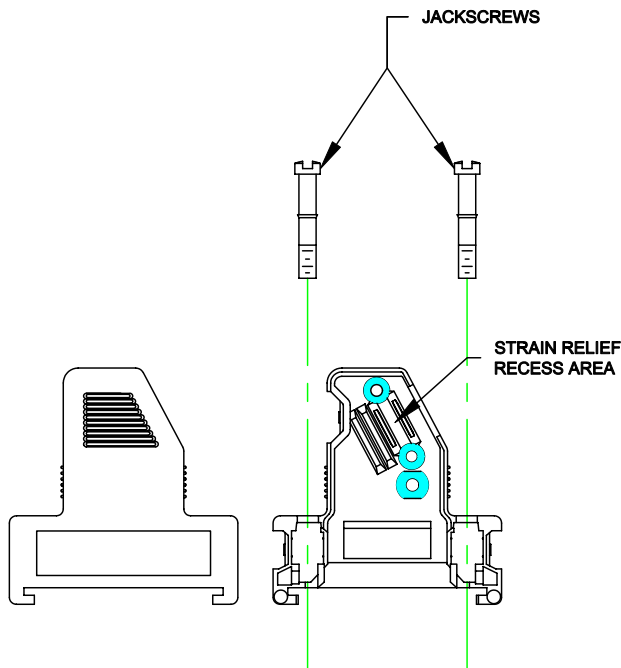
PLASTIC

	THESE DRAWINGS AND SPECIFICATIONS ARE THE PROPERTY OF NorComp AND SHALL NOT BE REPRODUCED, COPIED OR USED AS THE BASIS FOR THE MANUFACTURE OF SALE OF APPARATUS WITHOUT WRITTEN PERMISSION.		DRAWN: C. SMITH	DATE: 03-24-06
			CHECKED:	DATE:
<h1>NorComp</h1>		SCALE: N.T.S.	SHEET 1 OF 2	REV 0
		DWG NO. BACKSHELL - 950 SERIES		

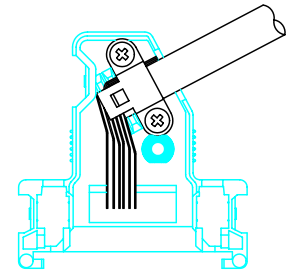
DESCRIPTION: BACKSHELL ASSEMBLY INSTRUCTIONS - METALIZED PLASTIC

ASSEMBLY INSTRUCTIONS:

1. PREPARE CABLE ENDS, CONNECT TO CONNECTOR
2. SNAP JACKSCREWS INTO PLACE
3. PLACE CABLE IN STRAIN RELIEF RECESS AREA MAKING SURE CABLE JACKET IS BELOW STRAIN RELIEF. ENSURE THE CABLE IS PRESSED INTO THE STRAIN RELIEF RECESS AREA
4. IF CABLE IS SHIELDED, FOLD SHIELD AND/OR GROUND WIRE BACK OVER CLAMP AREA. CUT ANY EXCESS WIRE SO IT WILL NOT STICK OUT OF THE HOOD
5. PLACE CABLE CLAMP OVER CABLE. USING SCREWS PROVIDED, TIGHTEN CABLE CLAMP. CABLE CLAMP MAY BE INSTALLED UP SIDE DOWN FOR SMALLER CABLES
6. PLACE THE OTHER HALF OF THE HOOD ON TOP OF THE FIRST HALF, MAKING SURE NO WIRES ARE PINCHED
7. PRESS THE TWO HALVES TOGETHER UNTIL THEY ARE FIRMLY LOCKED IN PLACE



ITEM No. 4



ITEM No. 5




STRAIN
RELIEF
SCREW

STRAIN
RELIEF
CLAMP

RoHS COMPLIANT

METALIZED PLASTIC

	THESE DRAWINGS AND SPECIFICATIONS ARE THE PROPERTY OF NorComp AND SHALL NOT BE REPRODUCED, COPIED OR USED AS THE BASIS FOR THE MANUFACTURE OF SALE OF APPARATUS WITHOUT WRITTEN PERMISSION.		DRAWN: C. SMITH	DATE: 03-24-06
			CHECKED:	DATE:
<h1>NorComp</h1>		SCALE: N.T.S.	SHEET 2 OF 2	REV 0
		DWG NO. BACKSHELL - 950 SERIES		