

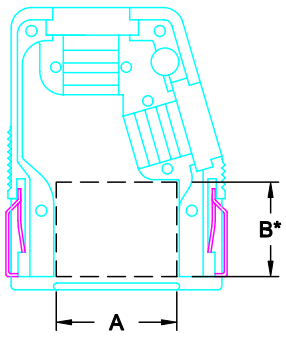
DESCRIPTION: INTERNAL DIMENSIONS - PLASTIC & METALIZED PLASTIC

DIMENSIONS (IN.)

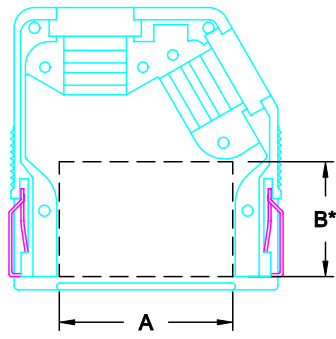
	9	15	25	37
A	0.744	1.070	1.610	2.258
B*	0.600	0.728	0.710	0.710
PCB	0.424	0.424	0.424	0.424

SEE NOTE 1. →  
SEE NOTE 2. →

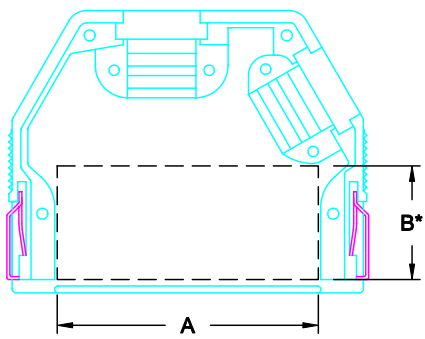
- NOTE:**
- "B" DIMENSION MEASURED FROM BACK SIDE OF CONNECTOR FLANGE
  - MIN. SAFE SPACING BETWEEN BACK SHELLS FOR PCB AND MOUNTED COMPONENTS
  - THESE DIMENSIONS ARE GOOD FOR THE PLASTIC AND METALIZED PLASTIC BACK SHELLS



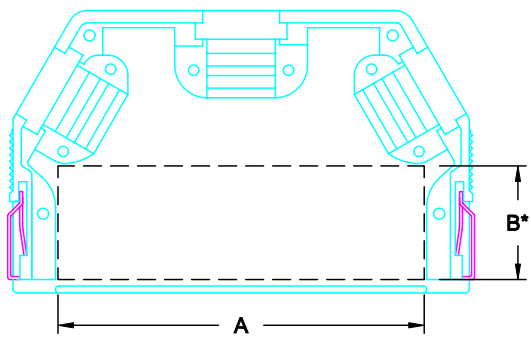
9-PIN



15-PIN



25-PIN




37-PIN

**PLASTIC & METALIZED PLASTIC**

DO NOT SCALE FROM DRAWING

**RoHS COMPLIANT**

	THESE DRAWINGS AND SPECIFICATIONS ARE THE PROPERTY OF NorComp AND SHALL NOT BE REPRODUCED, COPIED OR USED AS THE BASIS FOR THE MANUFACTURE OF SALE OF APPARATUS WITHOUT WRITTEN PERMISSION.		DRAWN: <b>C. SMITH</b>	DATE: <b>04-10-07</b>
			CHECKED:	DATE:
<h1>NorComp</h1>		SCALE: <b>N.T.S.</b>	SHEET <b>1</b> OF <b>2</b>	REV <b>0</b>
		DWG NO. <b>ID - 955 SERIES</b>		

DESCRIPTION: INTERNAL DIMENSIONS - DIE CAST

**DIMENSIONS (IN.)**

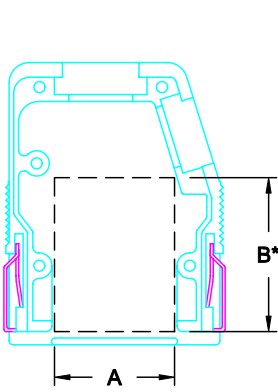
	9	15	25	37
A	0.741	1.067	1.607	2.255
B*	0.949	0.655	0.655	0.655
C		1.004	1.544	2.192
D		0.323	0.323	0.323
PCB	0.437	0.437	0.437	0.437

SEE NOTE 1. →

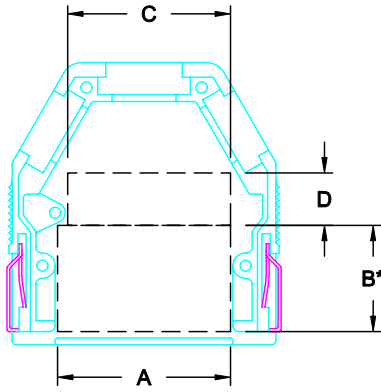
SEE NOTE 2. →

**NOTE:**

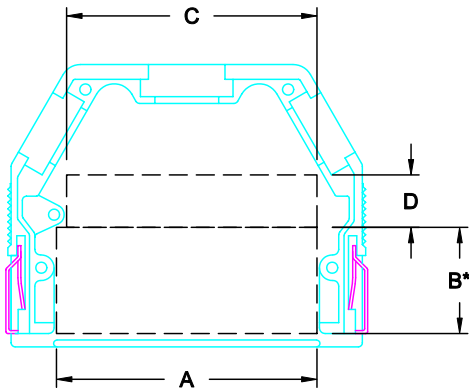
- "B" DIMENSION MEASURED FROM BACK SIDE OF CONNECTOR FLANGE
- MIN. SAFE SPACING BETWEEN BACK SHELLS FOR PCB AND MOUNTED COMPONENTS
- THESE DIMENSIONS ARE GOOD FOR THE DIE CAST BACK SHELLS



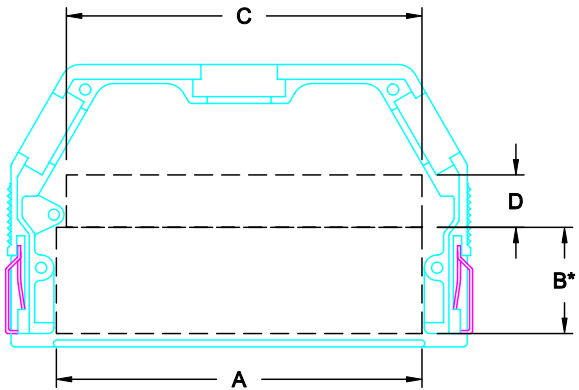
9-PIN



15-PIN



25-PIN



37-PIN

**DIE CAST**

DO NOT SCALE FROM DRAWING

**RoHS COMPLIANT**



THESE DRAWINGS AND SPECIFICATIONS ARE THE PROPERTY OF NorComp AND SHALL NOT BE REPRODUCED, COPIED OR USED AS THE BASIS FOR THE MANUFACTURE OF SALE OF APPARATUS WITHOUT WRITTEN PERMISSION.

DRAWN:  
**C. SMITH**

DATE:  
**04-10-07**

CHECKED:

DATE:

SCALE:  
**N.T.S.**

SHEET **2** OF **2**

REV **0**

**NorComp**

DWG NO. **ID - 955 SERIES**