

DESCRIPTION: BACKSHELL ASSEMBLY INSTRUCTIONS - PLASTIC

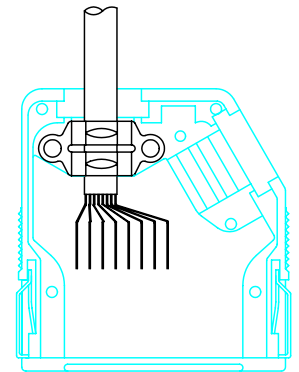
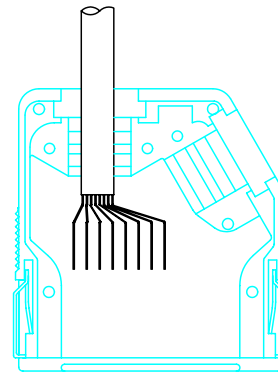
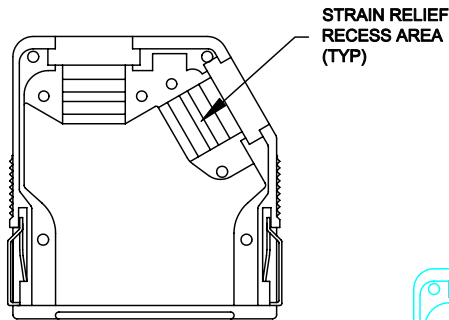
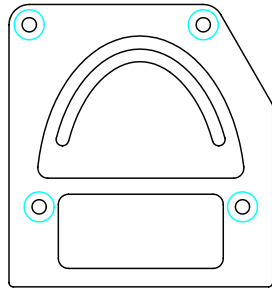
NOTES:

- 1. 2-ENTRY = 9, 15 & 25 POSITION BACKSHELLS
- 2. 3-ENTRY = 37 POSITION BACKSHELL

SEE INTERNAL DIMENSION DRAWINGS FOR GENERAL LAYOUT

ASSEMBLY INSTRUCTIONS:

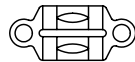
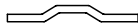
- 1. PREPARE CABLE ENDS, CONNECT TO CONNECTOR
- 2. SELECT THE CABLE ENTRY PORT NEEDED, PLACE THE SLOT BLOCKING TABS IN THE OTHER POSITIONS MAKING SURE THEY ARE FULLY SEATED
- 3. PLACE CABLE IN SELECTED STRAIN RELIEF RECESS AREA MAKING SURE CABLE JACKET IS BELOW STRAIN RELIEF. ENSURE THE CABLE IS PRESSED INTO THE STRAIN RELIEF RECESS AREA
- 4. PLACE CABLE CLAMP OVER CABLE. USING SCREWS PROVIDED, TIGHTEN CABLE CLAMP. CABLE CLAMP MAY BE INSTALLED UP SIDE DOWN FOR SMALLER CABLES
- 5. PLACE THE OTHER HALF OF THE HOOD ON TOP OF THE FIRST HALF, MAKING SURE NO WIRES ARE PINCHED
- 6. TIGHTEN THE TWO HALVES TOGETHER WITH THE SCREWS PROVIDED



STRAIN RELIEF SCREW



MOUNTING SCREW



STRAIN RELIEF CLAMP



CABLE SLOT BLOCK TAB

RoHS COMPLIANT

PLASTIC



THESE DRAWINGS AND SPECIFICATIONS ARE THE PROPERTY OF NorComp AND SHALL NOT BE REPRODUCED, COPIED OR USED AS THE BASIS FOR THE MANUFACTURE OF SALE OF APPARATUS WITHOUT WRITTEN PERMISSION.

DRAWN:

C. SMITH

DATE:

03-27-06

CHECKED:

DATE:

SCALE:

N.T.S.

SHEET

OF

1

REV

0

NorComp

DWG NO.

BACKSHELL - 955 SERIES

DESCRIPTION: BACKSHELL ASSEMBLY INSTRUCTIONS - METALIZED PLASTIC

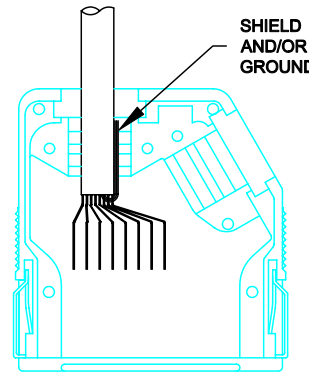
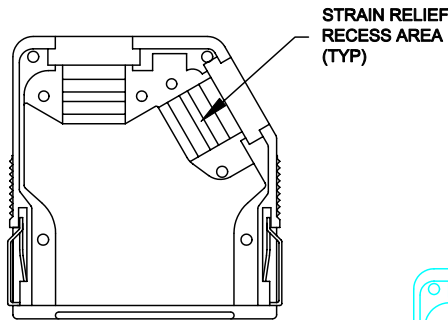
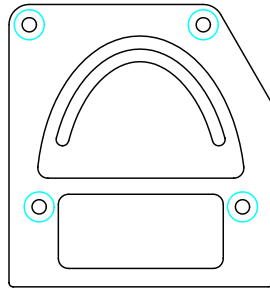
NOTES:

- 1. 2-ENTRY = 9, 15 & 25 POSITION BACKSHELLS
- 2. 3-ENTRY = 37 POSITION BACKSHELL

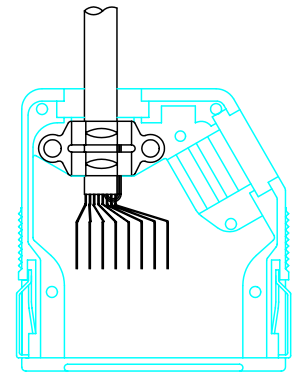
SEE INTERNAL DIMENSION DRAWINGS FOR GENERAL LAYOUT

ASSEMBLY INSTRUCTIONS:

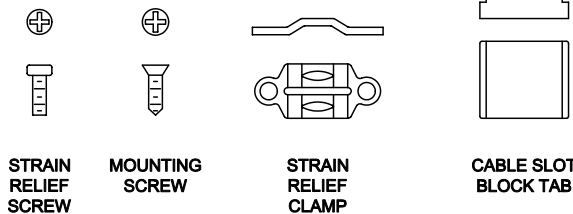
- 1. PREPARE CABLE ENDS, CONNECT TO CONNECTOR
- 2. SELECT THE CABLE ENTRY PORT NEEDED, PLACE THE SLOT BLOCKING TABS IN THE OTHER POSITIONS MAKING SURE THEY ARE FULLY SEATED
- 3. PLACE CABLE IN SELECTED STRAIN RELIEF RECESS AREA MAKING SURE CABLE JACKET IS BELOW STRAIN RELIEF. ENSURE THE CABLE IS PRESSED INTO THE STRAIN RELIEF RECESS AREA
- 4. IF CABLE IS SHIELDED, FOLD SHIELD AND/OR GROUND WIRE BACK OVER THE CLAMP AREA. CUT ANY EXCESS WIRE SO IT WILL NOT STICK OUT OF THE HOOD
- 5. PLACE CABLE CLAMP OVER CABLE. USING SCREWS PROVIDED, TIGHTEN CABLE CLAMP. CABLE CLAMP MAY BE INSTALLED UP SIDE DOWN FOR SMALLER CABLES
- 6. PLACE THE OTHER HALF OF THE HOOD ON TOP OF THE FIRST HALF, MAKING SURE NO WIRES ARE PINCHED
- 7. TIGHTEN THE TWO HALVES TOGETHER WITH THE SCREWS PROVIDED



ITEM No. 3 & 4




ITEM No. 5



RoHS COMPLIANT

METALIZED PLASTIC

	THESE DRAWINGS AND SPECIFICATIONS ARE THE PROPERTY OF NorComp AND SHALL NOT BE REPRODUCED, COPIED OR USED AS THE BASIS FOR THE MANUFACTURE OF SALE OF APPARATUS WITHOUT WRITTEN PERMISSION.		DRAWN: C. SMITH	DATE: 03-27-06
			CHECKED:	DATE:
<h1>NorComp</h1>		SCALE: N.T.S.	SHEET 2 OF 3	REV 0
		DWG NO. BACKSHELL - 955 SERIES		

DESCRIPTION: BACKSHELL ASSEMBLY INSTRUCTIONS - DIE CAST

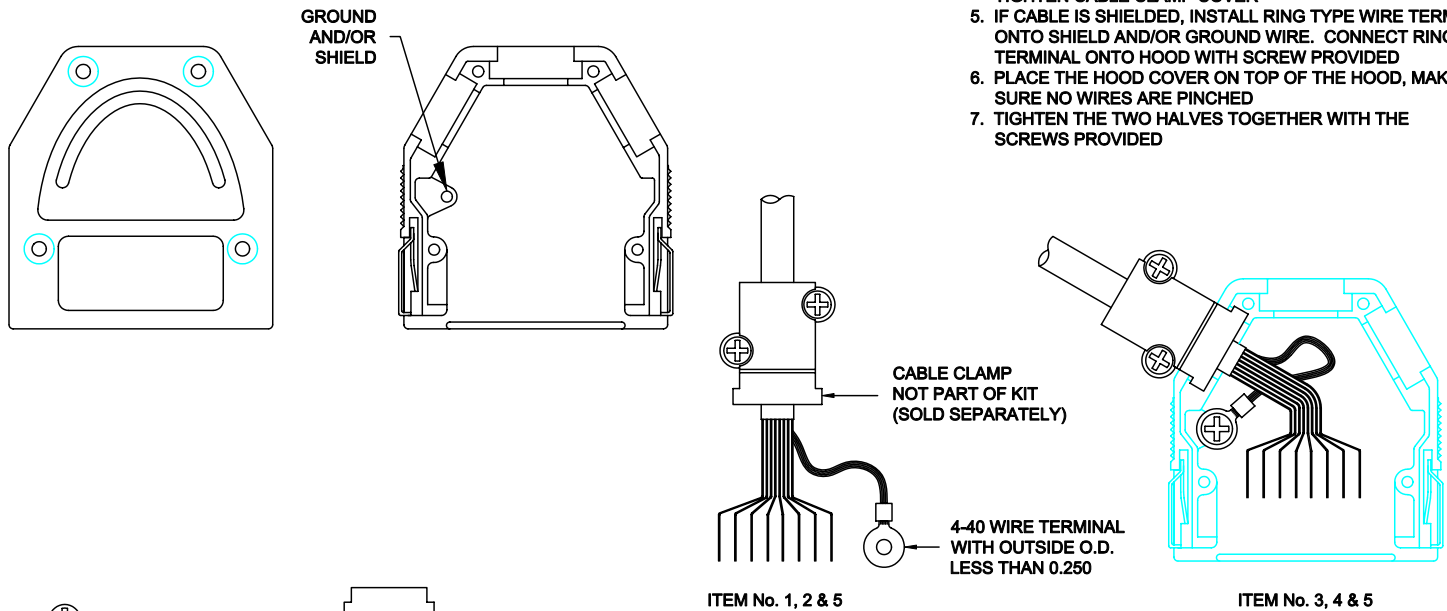
NOTES:

- 1. 2-ENTRY = 9 POSITION BACKSHELL
- 2. 3-ENTRY = 15, 25 & 37 POSITION BACKSHELLS

SEE INTERNAL DIMENSION DRAWINGS FOR GENERAL LAYOUT


ASSEMBLY INSTRUCTIONS:

- 1. SLIDE CABLE INTO CABLE CLAMP, DO NOT TIGHTEN CLAMP COVER AT THIS TIME
- 2. PREPARE CABLE ENDS, CONNECT TO CONNECTOR
- 3. SELECT THE CABLE ENTRY PORT NEEDED, PLACE THE SLOT BLOCKING TABS IN THE OTHER POSITIONS MAKING SURE THEY ARE FULLY SEATED
- 4. PLACE CONNECTOR AND CABLE CLAMP INTO POSITION, MAKING SURE CABLE JACKET IS BELOW CABLE CLAMP TIGHTEN CABLE CLAMP COVER
- 5. IF CABLE IS SHIELDED, INSTALL RING TYPE WIRE TERMINAL ONTO SHIELD AND/OR GROUND WIRE. CONNECT RING TERMINAL ONTO HOOD WITH SCREW PROVIDED
- 6. PLACE THE HOOD COVER ON TOP OF THE HOOD, MAKING SURE NO WIRES ARE PINCHED
- 7. TIGHTEN THE TWO HALVES TOGETHER WITH THE SCREWS PROVIDED



RoHS COMPLIANT

DIE CAST

	<small>THESE DRAWINGS AND SPECIFICATIONS ARE THE PROPERTY OF NorComp AND SHALL NOT BE REPRODUCED, COPIED OR USED AS THE BASIS FOR THE MANUFACTURE OF SALE OF APPARATUS WITHOUT WRITTEN PERMISSION.</small>		<small>DRAWN:</small> C. SMITH	<small>DATE:</small> 03-27-06
			<small>CHECKED:</small>	<small>DATE:</small>
<h1>NorComp</h1>	<small>SCALE:</small> N.T.S.	<small>SHEET</small> 3	<small>OF</small> 3	<small>REV</small> 0
	<small>DWG NO.</small> BACKSHELL - 955 SERIES			