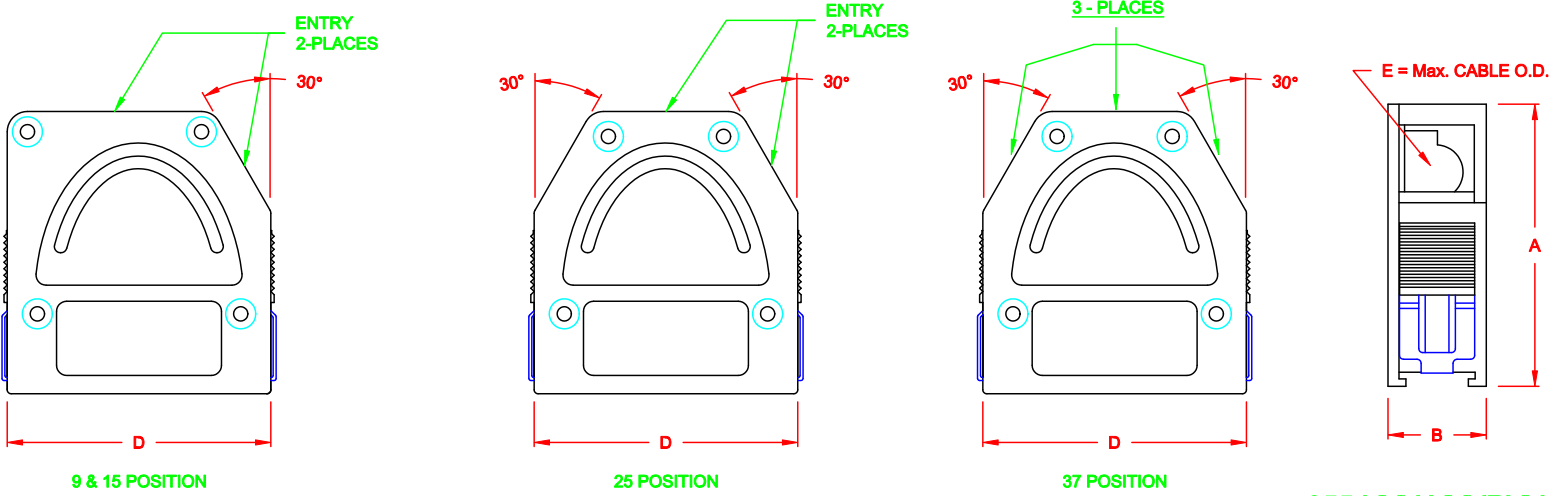


DESCRIPTION: **QUICK RELEASE - BLACK & METALIZED PLASTIC**

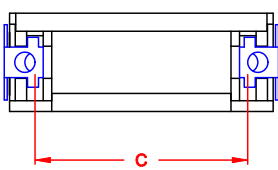


**SPECIFICATION:**

**MATERIAL**  
**BLACK PLASTIC:** ABS PLASTIC, SICOFLEX, UL 94 V-0  
**METALIZED**  
**PLASTIC:** NICKEL OVER COPPER PLATING  
**TEMP RATING:** -55°C to +125°C

**BACKSHELL KIT INCLUDES:**

- (2) BACKSHELL HALVES
- (4) MOUNTING SCREWS
- (1) STRAIN RELIEF CLAMP
- (2) STRAIN RELIEF SCREWS



DIMENSIONS (IN.)					
No. OF PINS	A	B	C	D	E
09	1.740	0.606	0.984	1.299	0.354
15	1.740	0.606	1.312	1.626	0.394
25	1.740	0.606	1.852	2.165	0.433
37	1.740	0.606	2.500	2.815	0.433

**955-YYY-YYYRYY1**

**SERIES** \_\_\_\_\_  
**POSITIONS** \_\_\_\_\_  
 009 \_\_\_\_\_  
 015 \_\_\_\_\_  
 025 \_\_\_\_\_  
 037 \_\_\_\_\_  
**MATERIAL** \_\_\_\_\_  
 010 = PLASTIC  
 020 = METALIZED PLASTIC  
**RoHS COMPLIANT** \_\_\_\_\_  
 R = HIGH TEMP. PROCESS  
**COLOR** \_\_\_\_\_  
 01 = BLACK  
 12 = METAL(IZED)  
**PUT-UP** \_\_\_\_\_  
 1 = KIT

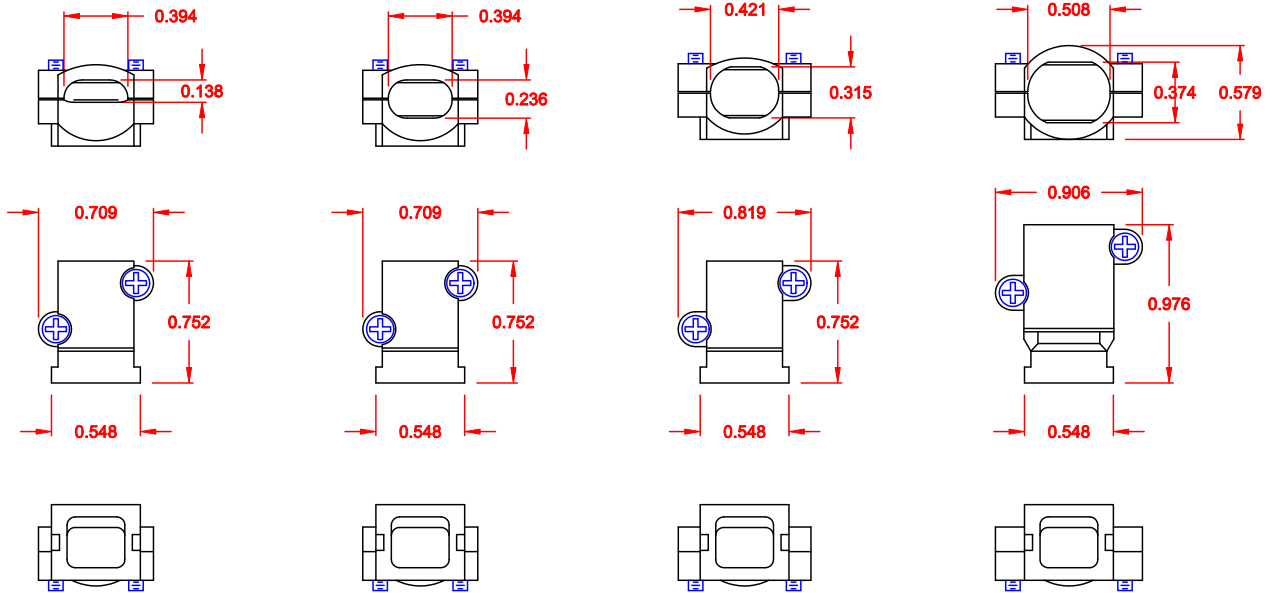
**DO NOT SCALE FROM DRAWING**

**RoHS COMPLIANT**

	THESE DRAWINGS AND SPECIFICATIONS ARE THE PROPERTY OF NorComp AND SHALL NOT BE REPRODUCED, COPIED OR USED AS THE BASIS FOR THE MANUFACTURE OF SALE OF APPARATUS WITHOUT WRITTEN PERMISSION.	DRAWN: <b>C. SMITH</b>	DATE: <b>04-10-07</b>
		CHECKED:	DATE:
<b>NorComp</b>		SCALE: <b>1:1</b>	SHEET <b>1</b> OF <b>2</b>
		DWG NO. <b>955-YYY-YYYRYY1</b>	
			REV <b>3</b>

DESCRIPTION: QUICK RELEASE - CABLE CLAMPS OPTIONS

## CABLE CLAMPS ORDERED SEPARATELY



**P/N 955-09-SR-4-7**  
CABLE RANGE = 0.157 - 0.276


**P/N 955-15-SR-7-10**  
CABLE RANGE = 0.276 - 0.394

**P/N 955-25-SR-9-12**  
CABLE RANGE = 0.354 - 0.472

**P/N 955-37-SR-11-14**  
CABLE RANGE = 0.433 - 0.551

DO NOT SCALE FROM DRAWING

RoHS COMPLIANT

	THESE DRAWINGS AND SPECIFICATIONS ARE THE PROPERTY OF NorComp AND SHALL NOT BE REPRODUCED, COPIED OR USED AS THE BASIS FOR THE MANUFACTURE OF SALE OF APPARATUS WITHOUT WRITTEN PERMISSION.		DRAWN: <b>C. SMITH</b>	DATE: <b>04-10-07</b>
			CHECKED:	DATE:
<h1 style="margin: 0;">NorComp</h1>		SCALE: <b>1 : 1</b>	SHEET <b>2</b> OF <b>2</b>	REV <b>3</b>
		DWG NO. <b>955-YYY-YYYRY1</b>		