

DESCRIPTION: INTERNAL DIMENSIONS - PLASTIC & METALIZED PLASTIC

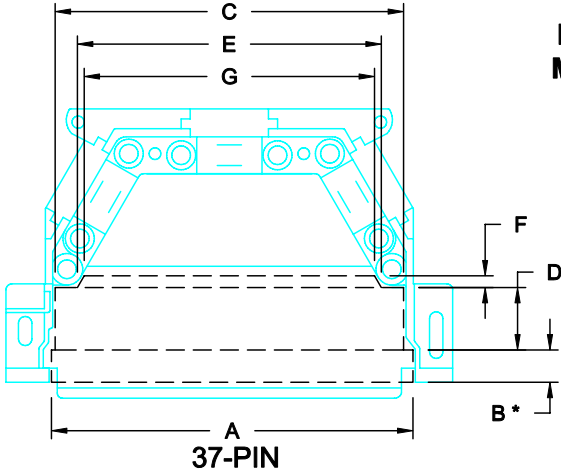
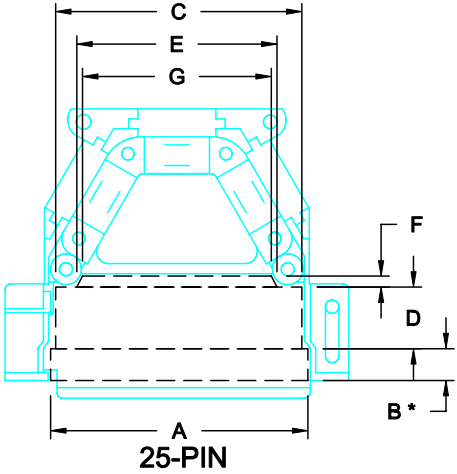
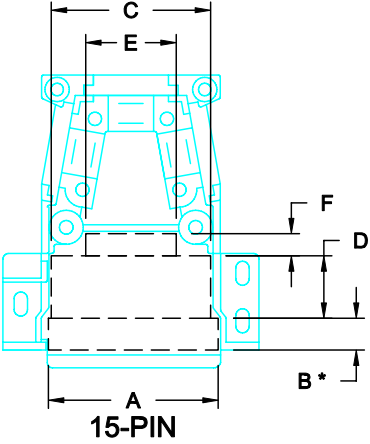
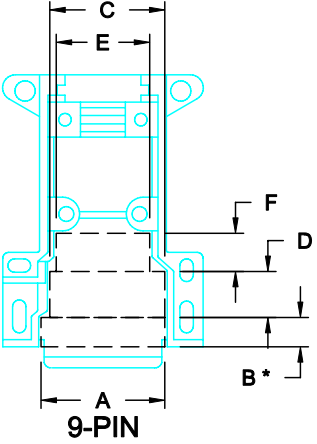
DIMENSIONS (IN.)

	9	15	25	37
A	0.763	1.047	1.587	2.229
B*	0.181	0.196	0.196	0.199
C	0.709	0.983	1.519	2.149
D	0.284	.0385	0.380	0.385
E	0.576	0.558	1.235	1.874
F	0.236	0.137	0.068	0.072
G			1.164	1.790
PCB	0.416	0.431	0.402	0.427

SEE NOTE 1. →

SEE NOTE 2. →

- NOTE:**
- "B" DIMENSION MEASURED FROM BACK SIDE OF CONNECTOR FLANGE
 - MIN. SAFE SPACING BETWEEN BACK SHELLS FOR PCB AND MOUNTED COMPONENTS
 - THESE DIMENSIONS ARE GOOD FOR THE PLASTIC AND METALIZED PLASTIC BACK SHELLS



PLASTIC & METALIZED PLASTIC



THESE DRAWINGS AND SPECIFICATIONS ARE THE PROPERTY OF NorComp AND SHALL NOT BE REPRODUCED, COPIED OR USED AS THE BASIS FOR THE MANUFACTURE OF SALE OF APPARATUS WITHOUT WRITTEN PERMISSION.

DRAWN: C. SMITH

DATE: 07-06-06

CHECKED: X

DATE: X

SCALE: N.T.S.

SHEET 1 OF 1

REV 0

NorComp

DWG NO. ID - 975 SERIES

RoHS COMPLIANT