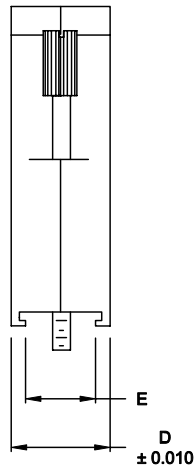
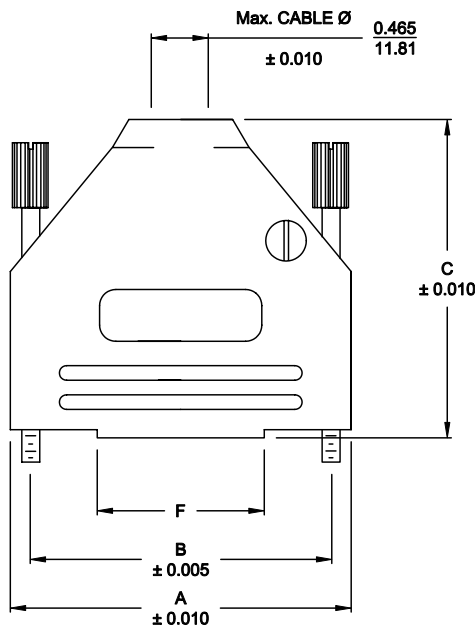


DESCRIPTION: 970 SERIES D-SUB BACKSHELL

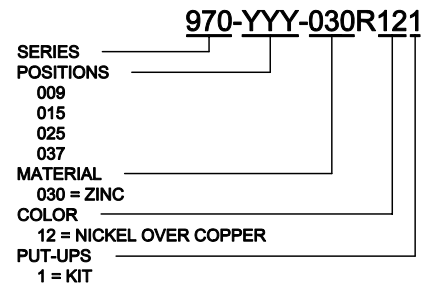
BACKSHELL KIT INCLUDES:

- (2) BACKSHELL HALVES
- (2) 4-40 THUMBSCREWS
- (2) HOUSING SCREWS
- (1) SET OF COMPRESSION INSERTS - VARIOUS SIZES
- (1) COMPRESSION SPRING


MATERIAL: DIE-CAST ZINC ALLOY
 PLATING: NICKEL OVER COPPER
 JACKSCREWS: STEEL
 M3 HOODSCREWS: STEEL
 COMPRESSION INSERT: ABS UL 94V-0
 OPERATING TEMP: -30°C TO +90°C



DIMENSIONS (IN.)						
No. OF PINS	A	B	C	D	E	F
9	1.228	0.984	1.571	0.590	0.388	0.514
	31.19	24.99	39.90	14.99	9.86	13.06
15	1.555	1.312	1.634	0.590	0.393	0.789
	39.50	33.32	41.50	14.99	9.98	20.04
25	2.102	1.852	1.913	0.590	0.378	1.024
	53.39	47.04	48.59	14.99	9.60	26.01
37	2.744	2.500	2.110	0.590	0.409	1.690
	69.70	63.50	53.59	14.99	10.39	42.93



RoHS COMPLIANT

	THESE DRAWINGS AND SPECIFICATIONS ARE THE PROPERTY OF NorComp AND SHALL NOT BE REPRODUCED, COPIED OR USED AS THE BASIS FOR THE MANUFACTURE OR SALE OF APPARATUS WITHOUT WRITTEN PERMISSION.		DRAWN: PAM JENKINS	DATE: 6-10-05
	<h1>NorComp</h1>			CHECKED:
SCALE				SHEET 1 OF 1
<h1>NorComp</h1>			DWG NO. 970 -YYY-030R121	