

DESCRIPTION: 971 SERIES D-SUB BACKSHELL

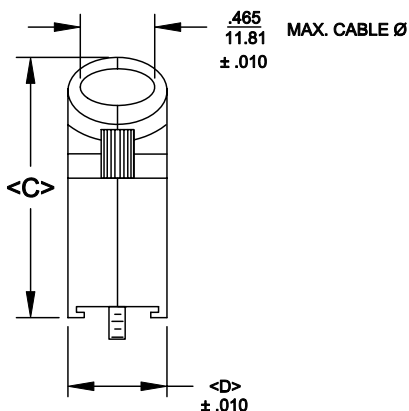
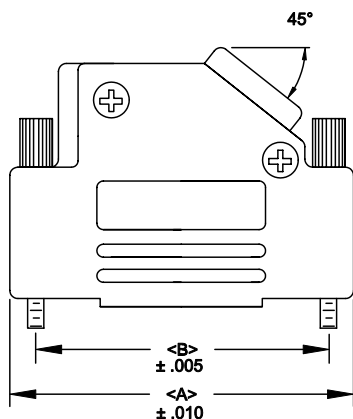
971-YYY-030R121

**BACKSHELL KIT INCLUDES:**

- (2) BACKSHELL HALVES
- (2) 4-40 THUMBSCREWS
- (2) HOUSING SCREWS
- (1) COMPRESSION RING - VARIOUS SIZES

SERIES \_\_\_\_\_  
 POSITIONS \_\_\_\_\_  
 009 \_\_\_\_\_  
 015 \_\_\_\_\_  
 025 \_\_\_\_\_  
 037 \_\_\_\_\_  
 MATERIAL \_\_\_\_\_  
 030 = ZINC  
 COLOR: \_\_\_\_\_  
 12 = NICKEL OVER COPPER  
 PUT-UPS \_\_\_\_\_  
 1 = KIT

NOTE: 9 POSITION HAS ONLY 1 THUMBSCREW  
 (OPPOSITE CABLE ENTRY)



| POS. | A     | B     | C     | D     |
|------|-------|-------|-------|-------|
| 9    | 1.220 | .984  | 1.496 | .570  |
|      | 30.99 | 24.99 | 38.00 | 14.48 |
| 15   | 1.595 | 1.312 | 1.618 | .570  |
|      | 40.51 | 33.32 | 41.10 | 14.48 |
| 25   | 2.114 | 1.852 | 1.646 | .570  |
|      | 53.70 | 47.04 | 41.81 | 14.48 |
| 37   | 2.748 | 2.500 | 1.646 | .570  |
|      | 69.80 | 63.50 | 41.81 | 14.48 |

MATERIAL: DIE CAST ZINC ALLOY  
 PLATING: NICKEL OVER COOPER  
 JACKSCREWS: STEEL  
 HOOD SCREWS: STEEL  
 COMPRESSION INSERTS: ABS UL 94V-0  
 OPERATING TEMP: -30°C to +90°C

RoHS COMPLIANT

|                  |   |                                |                              |                         |
|------------------|---|--------------------------------|------------------------------|-------------------------|
|                  | THESE DRAWINGS AND SPECIFICATIONS ARE THE PROPERTY OF NorComp AND SHALL NOT BE REPRODUCED, COPIED OR USED AS THE BASIS FOR THE MANUFACTURE OR SALE OF APPARATUS WITHOUT WRITTEN PERMISSION. |                                | DRAWN:<br><b>PAM JENKINS</b> | DATE:<br><b>6-10-05</b> |
|                  |   |                                | CHECKED:                     | DATE:                   |
| <h1>NorComp</h1> |   | SCALE                          | SHEET <b>1</b> OF <b>1</b>   | REV <b>5</b>            |
|                  |   | DWG NO. <b>971-YYY-030R121</b> |                              |                         |