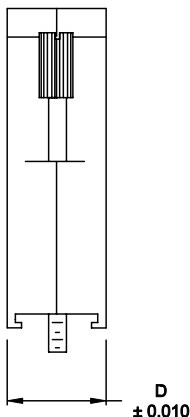
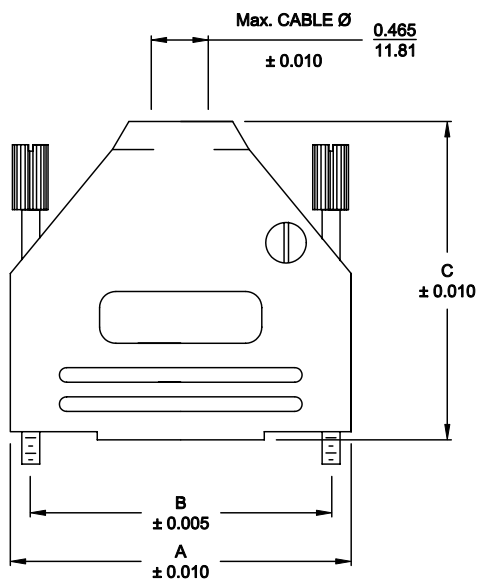


DESCRIPTION: 970 SERIES D-SUB BACKSHELL

BACKSHELL KIT INCLUDES:

- (2) BACKSHELL HALVES
- (2) 4-40 THUMBSCREWS
- (2) HOUSING SCREWS
- (1) SET OF COMPRESSION INSERTS - VARIOUS SIZES
- (1) COMPRESSION SPRING

MATERIAL: DIE-CAST ZINC ALLOY
 PLATING: BLACK OVER COPPER
 JACKSCREWS: STEEL - BLACK
 M3 HOODSCREWS: STEEL - BLACK
 COMPRESSION INSERT: ABS UL 94V-0
 OPERATING TEMP: -30°C TO +90°C



DIMENSIONS (IN.)				
No. OF PINS	A	B	C	D
9	1.228	0.984	1.571	0.590
	31.19	24.99	39.90	14.99
15	1.555	1.312	1.634	0.590
	39.50	33.32	41.50	14.99
25	2.102	1.852	1.913	0.590
	53.39	47.04	48.59	14.99
37	2.744	2.500	2.110	0.590
	69.70	63.50	53.59	14.99

970-YYY-040R011

SERIES _____

POSITIONS _____

009 _____

015 _____

025 _____

037 _____

MATERIAL _____

040 = ZINC


COLOR _____

01 = BLACK

PUT-UPS _____

1 = KIT

RoHS COMPLIANT

	THESE DRAWINGS AND SPECIFICATIONS ARE THE PROPERTY OF NorComp AND SHALL NOT BE REPRODUCED, COPIED OR USED AS THE BASIS FOR THE MANUFACTURE OR SALE OF APPARATUS WITHOUT WRITTEN PERMISSION.		DRAWN: PAM JENKINS	DATE: 6-10-05
	<h1>NorComp</h1>			CHECKED:
SCALE				SHEET 1 OF 1
<h1>NorComp</h1>			DWG NO. 970 -YYY-040R011	