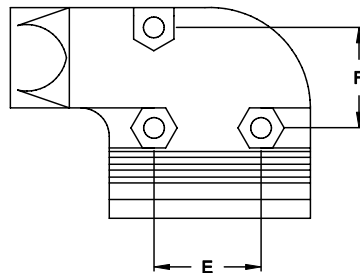
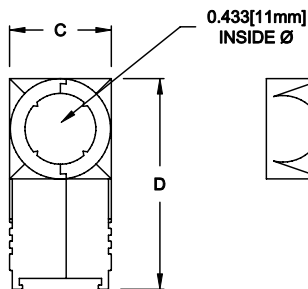
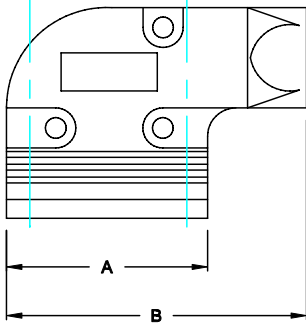
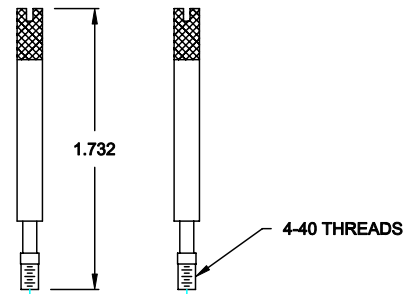


DESCRIPTION: **981 SERIES RIGHT ANGLE BACKSHELL**

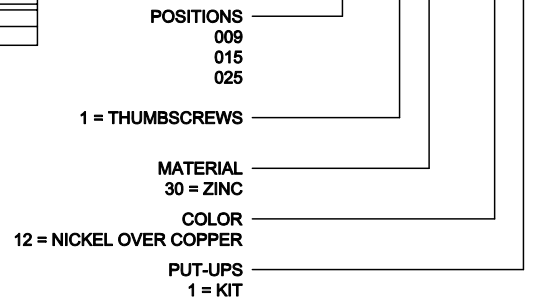
DIMENSIONS (IN.)						
No. OF PINS	A	B	C	D	E	F
9	1.265	1.850	0.628	1.312	0.610	0.625
15	1.580	2.314	0.639	1.305	0.995	0.620
25	2.143	2.870	0.633	1.305	1.528	0.606



BACKSHELL KIT INCLUDES:

- (2) BACKSHELL HALVES
- (3) HOUSING SCREWS & NUTS
- (2) THUMBSCREWS
- (1) GROMMET TREE (NON-CONDUCTIVE)

981-YYY-130R121



DO NOT SCALE FROM DRAWING

RoHS COMPLIANT

	THESE DRAWINGS AND SPECIFICATIONS ARE THE PROPERTY OF NorComp AND SHALL NOT BE REPRODUCED, COPIED OR USED AS THE BASIS FOR THE MANUFACTURE OF SALE OF APPARATUS WITHOUT WRITTEN PERMISSION.		DRAWN: C. SMITH	DATE: 02-16-07
			CHECKED: X	DATE: X
<h1>NorComp</h1>		SCALE: FULL	SHEET 1 OF 1	REV 0
		DWG NO. 981-YYY-130R121		