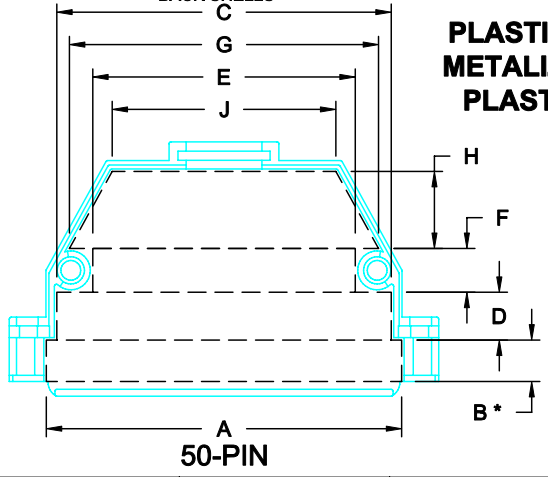
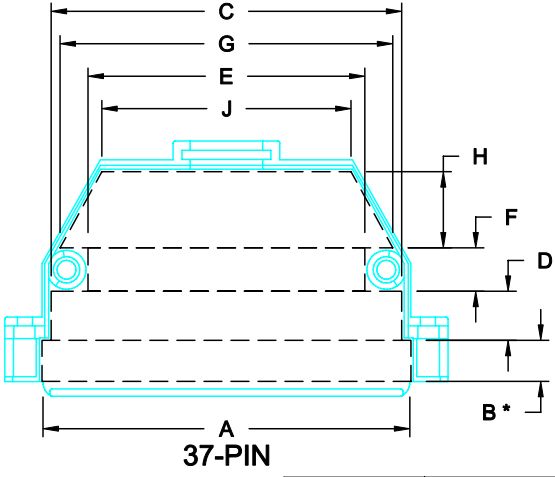
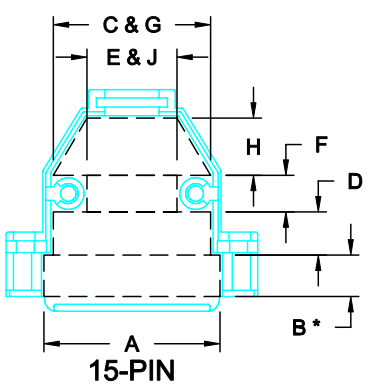
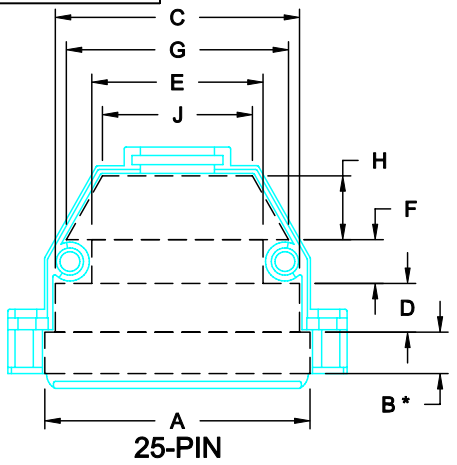
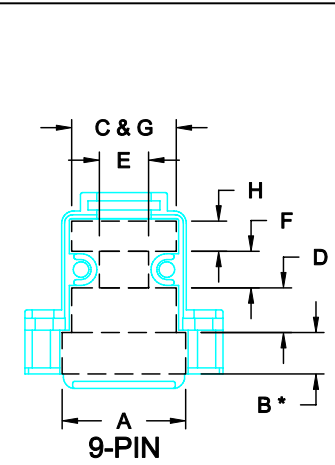


DESCRIPTION: INTERNAL DIMENSIONS - PLASTIC & METALIZED PLASTIC



**PLASTIC & METALIZED PLASTIC**

		DIMENSIONS (IN.)				
		9	15	25	37	50
SEE NOTE 1.	A	0.762	1.086	1.635	2.262	2.192
	B*	0.256	0.256	0.256	0.254	0.256
	C	0.645	0.970	1.506	2.162	2.063
	D	0.276	0.267	0.301	0.303	0.295
	E	0.304	0.555	1.056	1.707	1.619
	F	0.226	0.226	0.270	0.268	0.270
	G	0.304	0.970	1.370	2.052	1.906
	H	0.186	0.353	0.394	0.470	0.475
	J		0.555	0.925	1.537	1.379
SEE NOTE 2.	PCB	0.432	0.428	.0423	0.427	0.540

**NOTE:**

- "B" DIMENSION MEASURED FROM BACK SIDE OF CONNECTOR FLANGE
- MIN. SAFE SPACING BETWEEN BACK SHELLS FOR PCB AND MOUNTED COMPONENTS
- THESE DIMENSIONS ARE GOOD FOR THE PLASTIC AND METALIZED PLASTIC BACK SHELLS



THESE DRAWINGS AND SPECIFICATIONS ARE THE PROPERTY OF NorComp AND SHALL NOT BE REPRODUCED, COPIED OR USED AS THE BASIS FOR THE MANUFACTURE OF SALE OF APPARATUS WITHOUT WRITTEN PERMISSION.

DRAWN: C. SMITH DATE: 06-30-06

CHECKED: X DATE: X

SCALE: N.T.S. SHEET 1 OF 1 REV 0

DWG NO. ID - 973 SERIES

**NorComp**

**RoHS COMPLIANT**