

DESCRIPTION: 973 SERIES D-SUB BACKSHELL

BACKSHELL KIT INCLUDES:

- (2) BACKSHELL HALVES
- (2) 4-40 THUMBSCREWS
- (2) HOUSING SCREWS
- (1) METAL STRAIN RELIEF CLAMP
- (2) STRAIN RELIEF SCREWS

973-XXX-XXXRXX1

SERIES _____

POSITIONS _____

009 _____

015 _____

025 _____

037 _____

050 _____

MATERIAL _____

010 = PLASTIC

020 = METALIZED PLASTIC

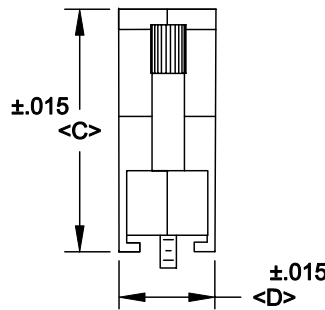
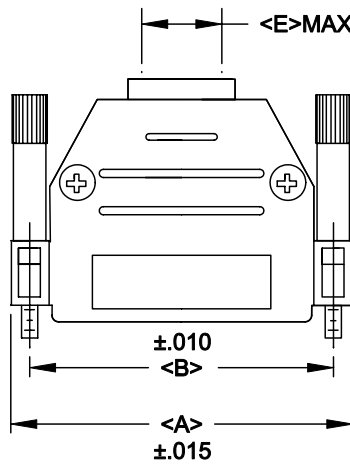
COLOR: _____

01 = BLACK

12 = NICKEL OVER COPPER

PUT-UPS _____


1 = KIT



POS.	A	B	C	D	E
9	1.240	.984	1.221	.598	.335
	31.50	24.99	31.01	15.19	8.51
15	1.575	1.312	1.378	.598	.335
	40.01	33.32	35.00	15.19	8.51
25	2.106	1.852	1.496	.598	.433
	53.49	47.04	38.00	15.19	11.00
37	2.756	2.500	1.575	.598	.433
	70.00	63.50	40.01	15.19	11.00
50	2.657	2.406	1.575	.717	.472
	67.49	61.00	40.01	18.21	11.99

METALIZED PLASTIC:
MATERIAL: HIGH TEMPERATURE ABS
PLATING: NICKEL OVER COPPER

PLASTIC:
MATERIAL: HIGH TEMPERATURE ABS
COLOR: BLACK
OPERATING TEMP: -55°C TO +125°C
RoHS COMPLIANT

	THESE DRAWINGS AND SPECIFICATIONS ARE THE PROPERTY OF NorComp AND SHALL NOT BE REPRODUCED, COPIED OR USED AS THE BASIS FOR THE MANUFACTURE OR SALES OF APPARATUS WITHOUT WRITTEN PERMISSION.		DRAWN: PAM JENKINS	DATE: 7-15-05
			CHECKED:	DATE:
NorComp		SCALE	SHEET	OF
		DWG NO. 973-XXX-0XORXX1		