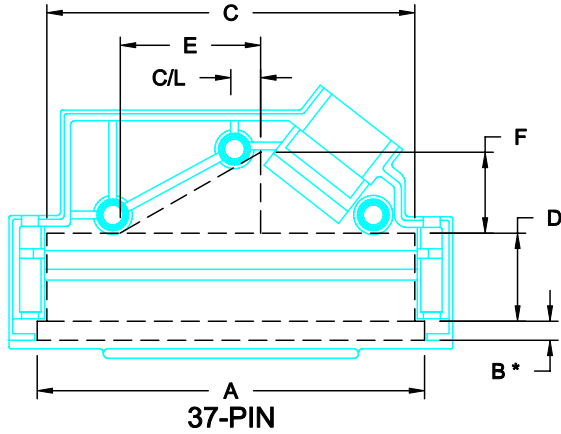
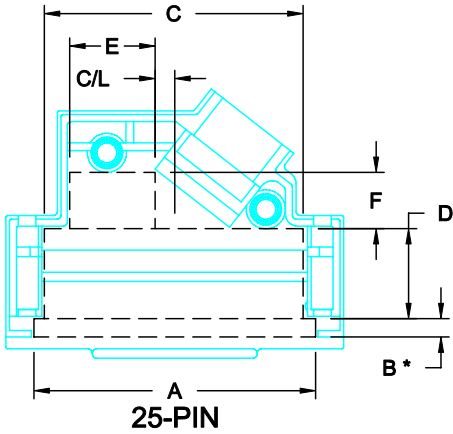
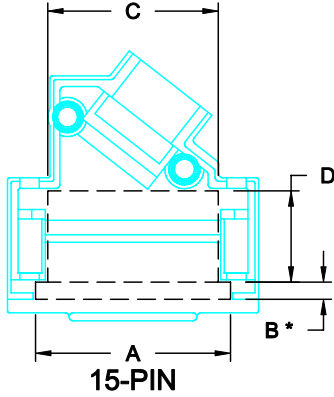
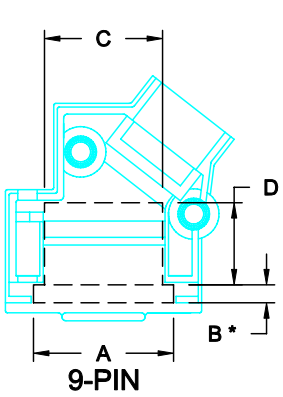


DESCRIPTION: INTERNAL DIMENSIONS - PLASTIC & METALIZED PLASTIC



	DIMENSIONS (IN.)			
	9	15	25	37
A	0.864	1.202	1.737	2.389
B*	0.111	0.106	0.113	0.118
C	0.728	1.052	1.596	2.269
D	0.506	0.563	0.556	0.543
E			0.526	0.865
F			0.346	0.499
C/L			0.122	0.184
PCB	0.356	0.398	0.364	0.364

SEE NOTE 1. →

SEE NOTE 2. →

- NOTE:**
- "B" DIMENSION MEASURED FROM BACK SIDE OF CONNECTOR FLANGE
 - MIN. SAFE SPACING BETWEEN BACK SHELLS FOR PCB AND MOUNTED COMPONENTS
 - THESE DIMENSIONS ARE GOOD FOR THE PLASTIC AND METALIZED PLASTIC BACK SHELLS

PLASTIC & METALIZED PLASTIC



THESE DRAWINGS AND SPECIFICATIONS ARE THE PROPERTY OF NorComp AND SHALL NOT BE REPRODUCED, COPIED OR USED AS THE BASIS FOR THE MANUFACTURE OF SALE OF APPARATUS WITHOUT WRITTEN PERMISSION.

DRAWN: C. SMITH
 CHECKED: X

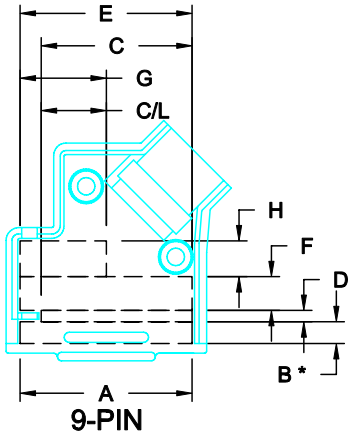
DATE: 06-26-06
 DATE: X

RoHS COMPLIANT

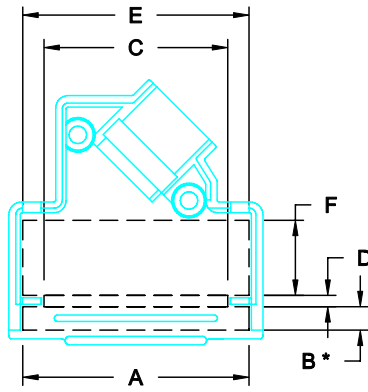
NorComp

SCALE: N.T.S. SHEET 1 OF 2 REV 0
 DWG NO. ID - 971 SERIES

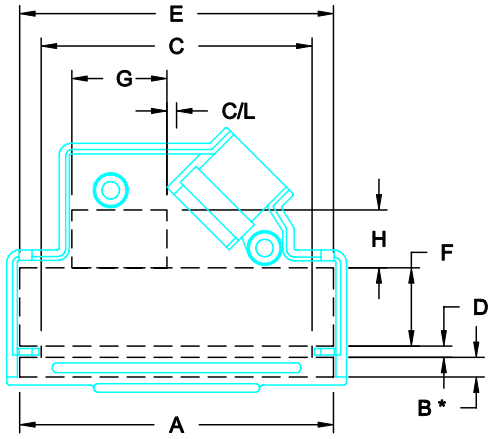
DESCRIPTION: INTERNAL DIMENSIONS - DIE CAST



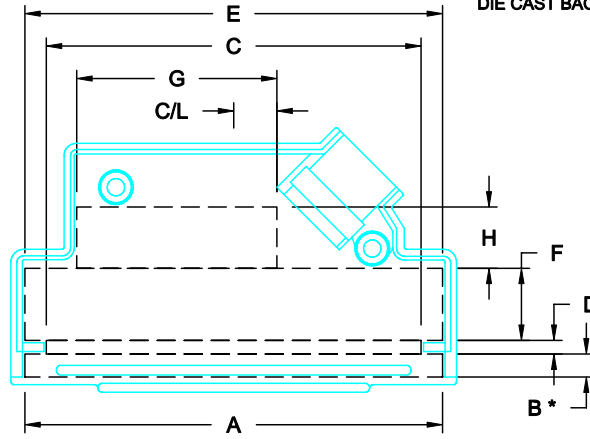
9-PIN



15-PIN



25-PIN



37-PIN

	DIMENSIONS (IN.)			
	9	15	25	37
A	1.061	1.395	1.935	2.576
B*	0.135	0.145	0.121	0.142
C	0.930	1.133	1.670	2.311
D	0.070	0.070	0.070	0.084
E	1.061	1.395	1.935	2.576
F	0.208	0.463	0.483	0.445
G	0.532		0.646	0.968
H	0.221		0.357	0.378
C/L	0.402		0.060	0.267
PCB	0.422	0.422	0.415	0.418

SEE NOTE 1. →

SEE NOTE 2. →

NOTE:

1. "B" DIMENSION MEASURED FROM BACK SIDE OF CONNECTOR FLANGE
2. MIN. SAFE SPACING BETWEEN BACK SHELLS FOR PCB MOUNTED COMPONENTS
3. THESE DIMENSIONS ARE GOOD FOR THE BLACK CHROMATE AND NICKEL PLATED DIE CAST BACK SHELLS

DIE CAST



THESE DRAWINGS AND SPECIFICATIONS ARE THE PROPERTY OF NorComp AND SHALL NOT BE REPRODUCED, COPIED OR USED AS THE BASIS FOR THE MANUFACTURE OF SALE OF APPARATUS WITHOUT WRITTEN PERMISSION.

DRAWN:
C. SMITH

DATE:
07-19-06

CHECKED:
X

DATE:
X

SCALE:
N.T.S.

SHEET 2 OF 2

REV 0

NorComp

DWG NO. ID - 971 SERIES

RoHS COMPLIANT