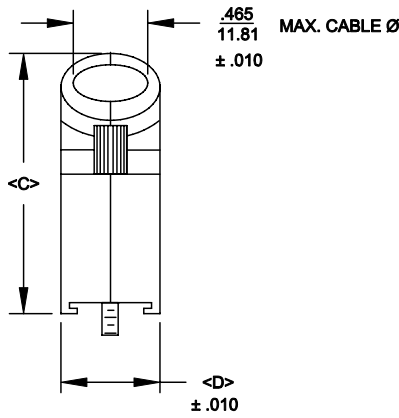
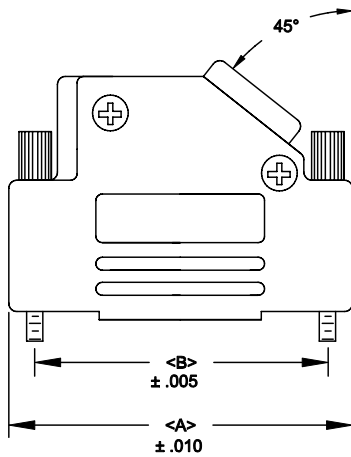


DESCRIPTION: 971 SERIES D-SUB BACKSHELL

BACKSHELL KIT INCLUDES:

- (2) BACKSHELL HALVES
- (2) 4-40 THUMBSCREWS
- (2) HOUSING SCREWS
- (1) COMPRESSION RING - VARIOUS SIZES

NOTE: 9 POSITION HAS ONLY 1 THUMBSCREW
(OPPOSITE CABLE ENTRY)



971-YYY-010R011

SERIES _____
 POSITIONS _____
 009 _____
 015 _____
 025 _____
 037 _____
 MATERIAL _____
 010 = PLASTIC _____
 COLOR: _____
 01 = BLACK _____
 PUT-UPS _____
 1 = KIT _____

POS.	A	B	C	D
9	1.220	.984	1.496	.590
	30.99	24.99	38.00	14.99
15	1.595	1.312	1.618	.590
	40.51	33.32	41.10	14.99
25	2.114	1.852	1.646	.590
	53.70	47.04	41.81	14.99
37	2.748	2.500	1.646	.590
	69.80	63.50	41.81	14.99

PLASTIC: ABS POLYLAC - BLACK - UL 94V-0

JACKSCREWS: STEEL - BLACK


HOOD SCREWS: STEEL - BLACK

COMPRESSION INSERTS: ABS UL 94V-0

NUTS: STEEL - BLACK

OPERATING TEMP: -30°C TO +90 °C

RoHS COMPLIANT

	THESE DRAWINGS AND SPECIFICATIONS ARE THE PROPERTY OF NorComp AND SHALL NOT BE REPRODUCED, COPIED OR USED AS THE BASIS FOR THE MANUFACTURE OR SALE OF APPARATUS WITHOUT WRITTEN PERMISSION.		DRAWN: PAM JENKINS	DATE: 6-10-05
			CHECKED:	DATE:
<h1>NorComp</h1>		SCALE	SHEET 1 OF 1	REV 3
		DWG NO. 971-YYY-010R011		