

DESCRIPTION: 970 SERIES D-SUB BACKSHELL

BACKSHELL KIT INCLUDES:

- (2) BACKSHELL HALVES
- (2) 4-40 THUMBSCREWS
- (2) HOUSING SCREWS/NUTS
- (1) SET OF COMPRESSION INSERTS-VARIOUS SIZES

970-YYY-010R011

SERIES _____

POSITIONS _____

009 _____

015 _____

025 _____

037 _____

MATERIAL _____

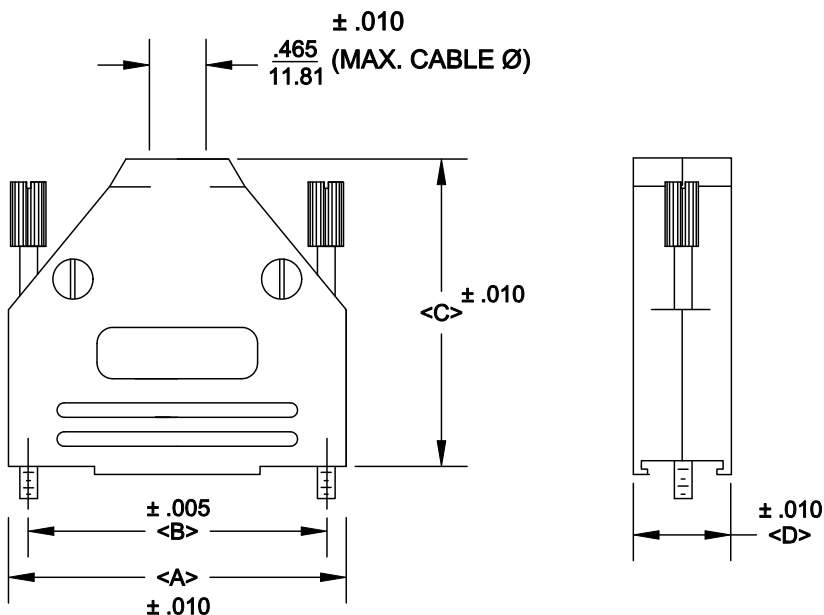
010 = PLASTIC _____

COLOR: _____

01 = BLACK _____

PUT-UPS _____


1 = KIT _____



POS.	A	B	C	D
9	1.228	.984	1.571	.590
	31.19	24.99	39.90	14.99
15	1.555	1.312	1.634	.590
	39.50	33.32	41.50	14.99
25	2.102	1.852	1.913	.590
	53.39	47.04	48.59	14.99
37	2.744	2.500	2.110	.590
	69.70	63.50	53.59	14.99

PLASTIC: ABS POLYLAC - BLACK - UL 94V-O
 JACKSCREWS: STEEL - BLACK
 M3 HOODSCREWS: STEEL - BLACK
 COMPRESSION INSERT: ABS UL 94V-O
 M3 NUT: STEEL - BLACK
 OPERATING TEMP: - 30°C TO + 90°C

RoHS COMPLIANT

	THESE DRAWINGS AND SPECIFICATIONS ARE THE PROPERTY OF NorComp AND SHALL NOT BE REPRODUCED, COPIED OR USED AS THE BASIS FOR THE MANUFACTURE OR SALE OF APPARATUS WITHOUT WRITTEN PERMISSION.	DRAWN: PAM JENKINS	DATE: 6-9-05
		CHECKED:	DATE:
<h1>NorComp</h1>		SCALE	SHEET OF
		DWG NO. 970 -YYY-010R011	