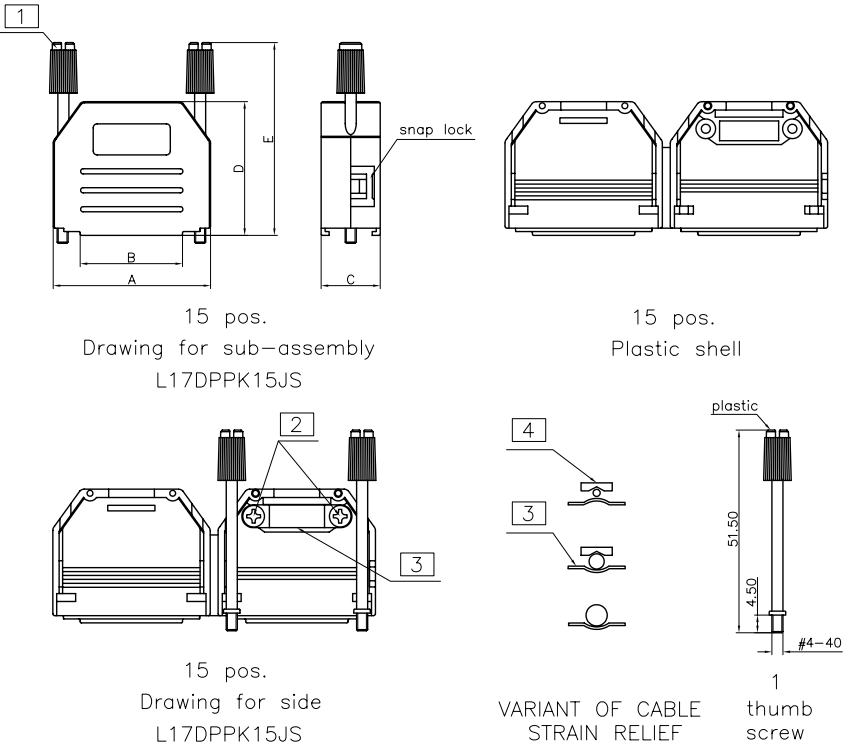


The document is the property of Amphenol Corporation and is delivered on the express condition that it is not to be disclosed, reproduced or used, in whole or in part, for manufacture or sale by anyone other than Amphenol Corporation without its prior consent. All rights are granted to Amphenol Corporation or to use any information in this document.



15 pos.
Drawing for sub-assembly
L17DPPK15JS

15 pos.
Plastic shell

15 pos.
Drawing for side
L17DPPK15JS

VARIANT OF CABLE
STRAIN RELIEF

1
thumb
screw

Customer drawing

Commercial Part Number	Dimension				
	A	B	C	D	E
L 17D PPK 09 JS	31.5	18	15	34	49
L 17D PPK 15 JS	40	26	15	34	49
L 17D PPK 25 JS	53.5	28	15	40	49
L 17D PPK 37 JS	71	55	16	40	49

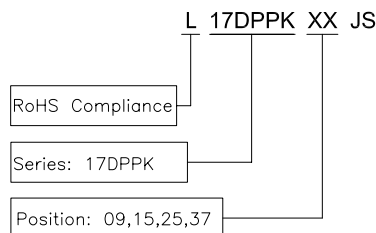


REVISIONS				
SYM	EDN	DESCRIPTION	DATE	APPROVED
A	HK4729	Release new drawing	10/19/07	IP

D-SUB TECHNICAL DATA

Material and finish:
 Shell: Thermoplastic, UL94-V0 color black
 Thumb screws: Steel shaft with plastic knob, blue chromate plated
 Screws: Steel, blue chromate plated, Philips head
 Strain relief: Steel, blue chromate plated
 cable clamp with self-tapping screws
 Cover: Thermoplastic, UL94-V0 colour black
 Temperature range: -40°C to 120°C
 Attenuation factor: >40 dB between 30 MHz and 1 GHz

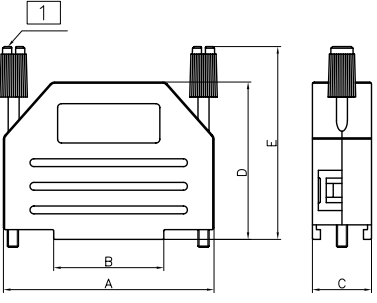
PRODUCT CODE



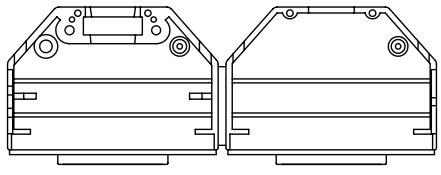
UNLESS OTHERWISE SPECIFIED TOLERANCES		APPROVAL		DATE
	U.S.	METRIC	DRAWN	DATE
X	±	0.50	Lisa.yang	10/17/07
XX	±	0.30	CHECKED	10/17/07
XXX	±	0.20		
FRACTIONS				
ANGLES	±	5°		
FOR MATERIALS AND FINISHES SEE NOTES		DRAWING FILE: \\drawing\Draws\17DPPKXXX		
REMOVE SHARP EDGES		ANGLE OF PROJECTION		
DIMENSIONS		FIRST ANGLE		
U.S. INCHES		MILLIMETERS		
NONE		NONE		

Amphenol		TITLE	
		Hood, DPPK Series	
SIZE	DRAWING NO.	REV.	
A4	C L17D PPK XXJS	A	
SCALE	NONE	SHEET 1 OF 3	

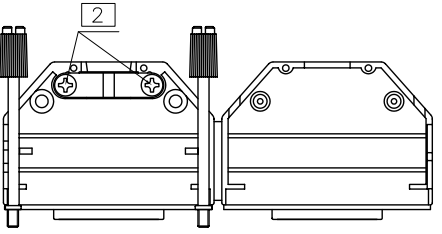
This document is the property of Amphenol Corporation and is delivered on the express condition that it is not to be disclosed, reproduced or used, in whole or in part, for manufacture or sale by anyone other than Amphenol Corporation without its prior consent. It and no right is granted to disclose or to use any information in this document.



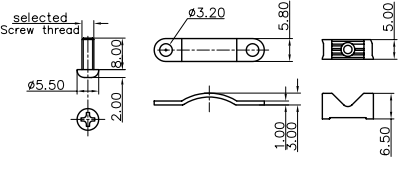
25 pos.
Drawing for sub-assembly
L17DPPK25JS



25 pos.
Plastic shell



25 pos.
Drawing for side
L17DPPK25JS



2 Screw 3 Strain relief 4 Cover

Customer drawing

Commercial Part Number	Dimension				
	A	B	C	D	E
L 17D PPK 09 JS	31.5	18	15	34	49
L 17D PPK 15 JS	40	26	15	34	49
L 17D PPK 25 JS	53.5	28	15	40	49
L 17D PPK 37 JS	71	55	16	40	49

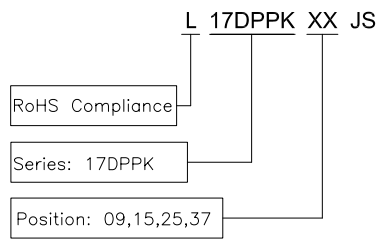


REVISIONS				
SYM	EDN	DESCRIPTION	DATE	APPROVED
A	HK4729	Release new drawing	10/19/07	IP

D-SUB TECHNICAL DATA

Material and finish:
 Shell: Thermoplastic, UL94-V0 color black
 Thumb screws: Steel shaft with plastic knob, blue chromate plated
 Screws: Steel, blue chromate plated, Philips head
 Strain relief: Steel, blue chromate plated cable clamp with self-tapping screws
 Cover: Thermoplastic, UL94-V0 colour black
 Temperature range: -40°C to 120°C
 Attenuation factor: >40 dB between 30 MHz and 1 GHz

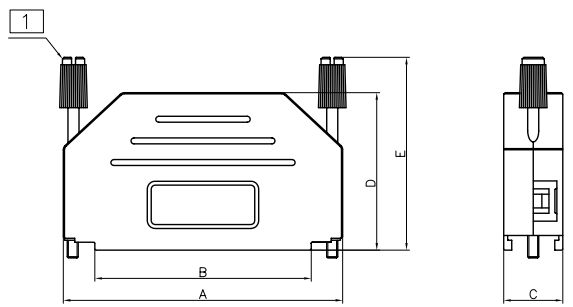
PRODUCT CODE



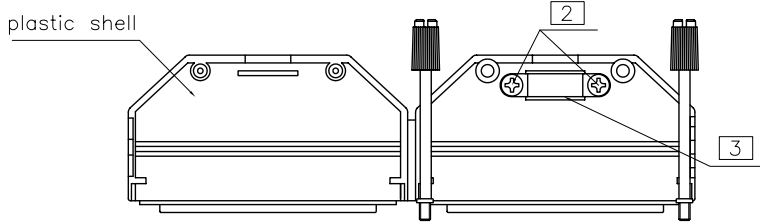
UNLESS OTHERWISE SPECIFIED TOLERANCES		APPROVAL		DATE
	U.S.	METRIC	DRAWN	10/17/07
X	±	0.50	Lim.yang	10/17/07
XX	±	0.30	CHECKED	10/17/07
XXX	±	0.20	CHECKED	
FRACTIONS				
ANGLES	±	5°		
FOR MATERIALS AND FINISHES SEE SPEC		DRAWING FILE: \\drawing\Draws\C17DPPKXXJS		
REMOVE SHARP EDGES		ANGLE OF PROJECTION		
DIMENSIONS		FIRST ANGLE		
U.S. INCHES		M.M.		
SCALE		NONE		
SIZE		DRAWING NO. A4 C L17D PPK XXJS		
REV.		A		
SHEET		2 OF 3		

Amphenol
 Hood, DPPK Series

The document is the property of Amphenol Corporation and is delivered on the express condition that it is not to be disclosed, reproduced or used, in whole or in part, for manufacture or sale by anyone other than Amphenol Corporation without its prior consent. All rights are granted to disclose or to use any information in this document.



09/37 pos.
Drawing for sub-assembly
L17DPPK09JS/L17DPPK37JS



09/37 pos.
Drawing for side
L17DPPK09JS/L17DPPK37JS

Customer drawing

Commercial Part Number	Dimension				
	A	B	C	D	E
L 17D PPK 09 JS	31.5	18	15	34	49
L 17D PPK 15 JS	40	26	15	34	49
L 17D PPK 25 JS	53.5	28	15	40	49
L 17D PPK 37 JS	71	55	16	40	49

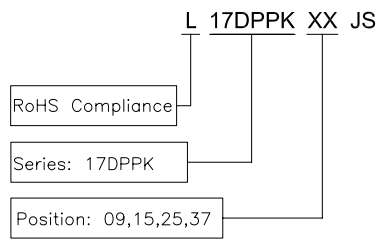


REVISIONS				
SYM	EDN	DESCRIPTION	DATE	APPROVED
A	HK4729	Release new drawing	10/19/07	IP

D-SUB TECHNICAL DATA

Material and finish:
 Shell: Thermoplastic, UL94-V0 color black
 Thumb screws: Steel shaft with plastic knob, blue chromate plated
 Screws: Steel, blue chromate plated, Philips head
 Strain relief: Steel, blue chromate plated
 cable clamp with self-tapping screws
 Cover: Thermoplastic, UL94-V0 colour black
 Temperature range: -40°C to 120°C
 Attenuation factor: >40 dB between 30 MHz and 1 GHz

PRODUCT CODE



UNLESS OTHERWISE SPECIFIED TOLERANCES		APPROVAL		DATE
	U.S.	METRIC	DRAWN	DATE
X	±	0.50	Lisa.yang	10/17/07
.XX	±	0.30	CHECKED	14k.wang
.XXX	±	0.20	CHECKED	
FRACTIONS	±			
ANGLES	±	5°		
FOR MATERIALS AND FINISHES SEE NOTES		DRAWING FILE: \\drawing\Draws\17DPPKXXX		
REMOVE SHARP EDGES		ANGLE OF PROJECTION		
DIMENSIONS		SIZE: DRAWING NO.		
U.S. INCHES		A4 C L17D PPK XXJS A		
METRIC MM		SCALE NONE SHEET 3 OF 3		

Amphenol
 Hood, DPPK Series