

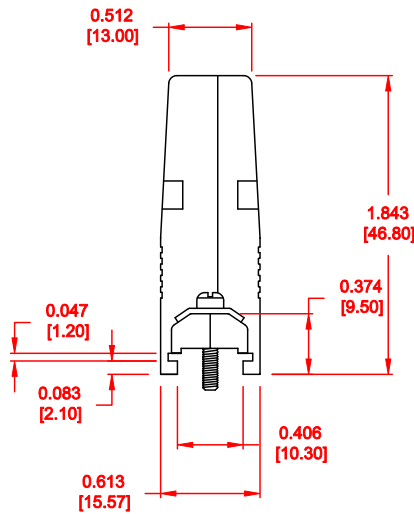
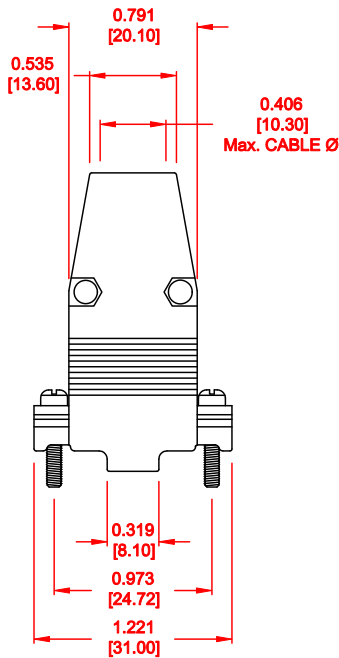
DESCRIPTION: 979 SERIES D-SUB BACKSHELL - DIE CAST

ALL TOLERANCES = ± 0.004 [± 0.10]
UNLESS OTHERWISE INDICATED

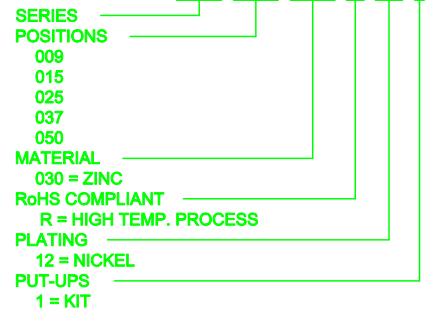
BACK SHELL KIT INCLUDES:

- 2 - BACK SHELL HALVES
- 2 - 4-40 MATING SCREWS
- 2 - SADDLE WASHERS
- 2 - HOUSING SCREWS
- 2 - HOUSING NUTS
- 1 - GROMMET TREE - VARIOUS SIZES
(NON-CONDUCTIVE GROMMETS)

MATERIAL: DIE-CAST ZINC ALLOY
PLATING: NICKEL




979-009-030 R 12 1

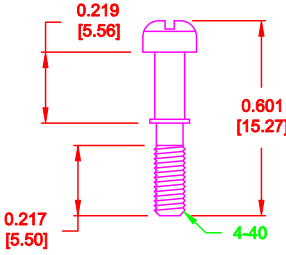


DO NOT SCALE FROM DRAWING

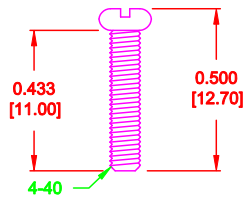
RoHS COMPLIANT

| | | | | |
|---|---|--------------------------------|----------------------------|-----------------------|
|  | THESE DRAWINGS AND SPECIFICATIONS ARE THE PROPERTY OF NorComp AND SHALL NOT BE REPRODUCED, COPIED OR USED AS THE BASIS FOR THE MANUFACTURE OF SALE OF APPARATUS WITHOUT WRITTEN PERMISSION. | | DRAWN: C. SMITH | DATE: 04-20-10 |
| | | | CHECKED: | DATE: |
| NorComp | | SCALE: 1 : 1 | SHEET 1 OF 2 | REV 1 |
| | | DWG NO. 979-009-030R121 | | |

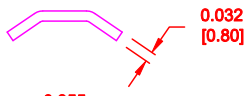
DESCRIPTION: 979 SERIES D-SUB BACKSHELL - HARDWARE



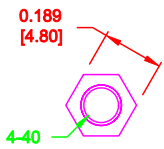
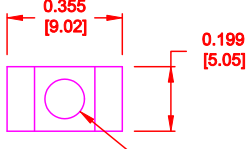
MATING SCREW



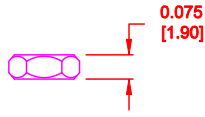
HOUSING SCREW



SADDLE WASHER

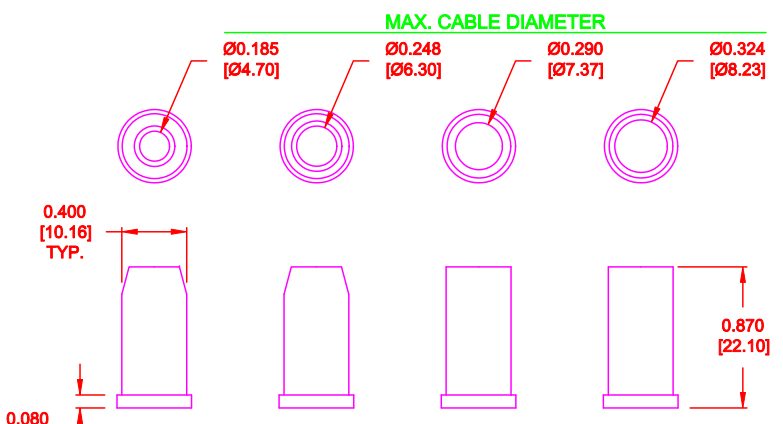


HOUSING NUT




ALL HARDWARE:
 MATERIAL = BRASS
 PLATING = NICKEL
 TOLERANCE = ±0.002 [±0.05]
 SCALE = 2 : 1

RoHS COMPLIANT



MAX. CABLE DIAMETER
 MATERIAL: NON CONDUCTIVE PVC - BLACK
 TOLERANCE = ±0.010 [±0.25]
 SCALE = 1 : 1

DO NOT SCALE FROM DRAWING

| | | | | |
|---|---|----------------------------|------------------------|--------------------------------|
|  NorComp | THESE DRAWINGS AND SPECIFICATIONS ARE THE PROPERTY OF NorComp AND SHALL NOT BE REPRODUCED, COPIED OR USED AS THE BASIS FOR THE MANUFACTURE OF SALE OF APPARATUS WITHOUT WRITTEN PERMISSION. | | DRAWN: C. SMITH | DATE: 04-20-10 |
| | | | CHECKED: | DATE: |
| | SCALE: AS SHOWN | SHEET 2 OF 2 | REV 1 | DWG NO. 979-009-030R121 |